



E-295 CEILING HOOD



INSTALLATION GUIDE

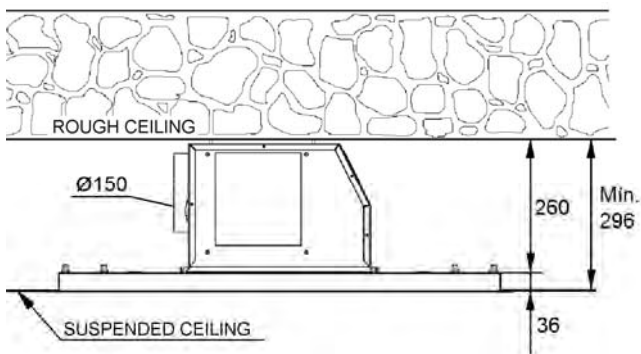
INTERNAL MOTOR VERSION (“A” Fitting System)

EXTERNAL MOTOR VERSION (“B” Fitting System)

1.- INITIAL CHECKING LIST, MINIMUM DISTANCE

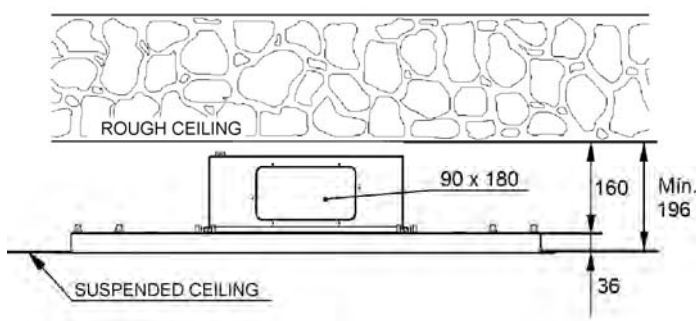
INTERNAL MOTOR VERSION

The minimum distance between the rough ceiling and the suspended ceiling must be 296mm, and the maximum distance from floor to the ceiling should not be higher than 2,5m in order to maintain rated performance.



EXTERNAL MOTOR VERSION

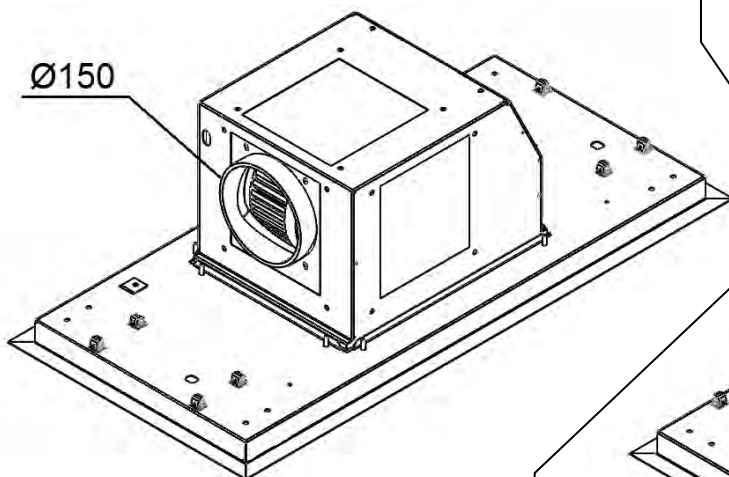
The minimum distance between the rough ceiling and the suspended ceiling must be 196mm, and the maximum distance from floor to the ceiling should not be higher than 2,5m in order to maintain rated performance.



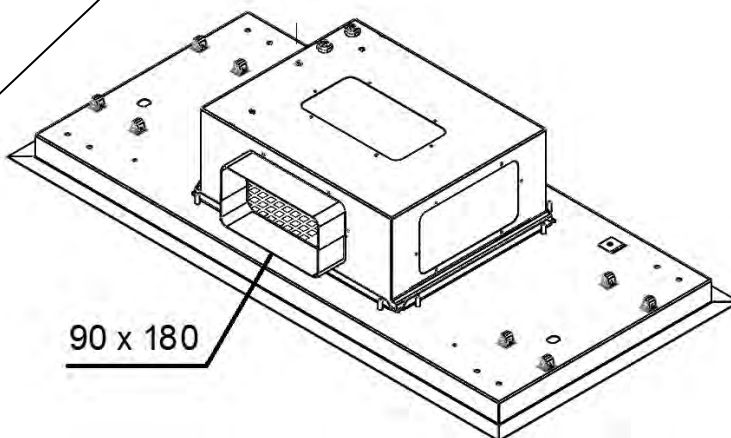
2.- AIR EXHAUST DUCT

2.1- The section of the air exhaust duct that will be attached to the hood air outlet should be $\varnothing 150$ mm. A shape adaptor will be required to attach the 90 x 180mm rectangular outlet to a circular section air exhaust duct.

INTERNAL MOTOR VERSION



EXTERNAL MOTOR VERSION

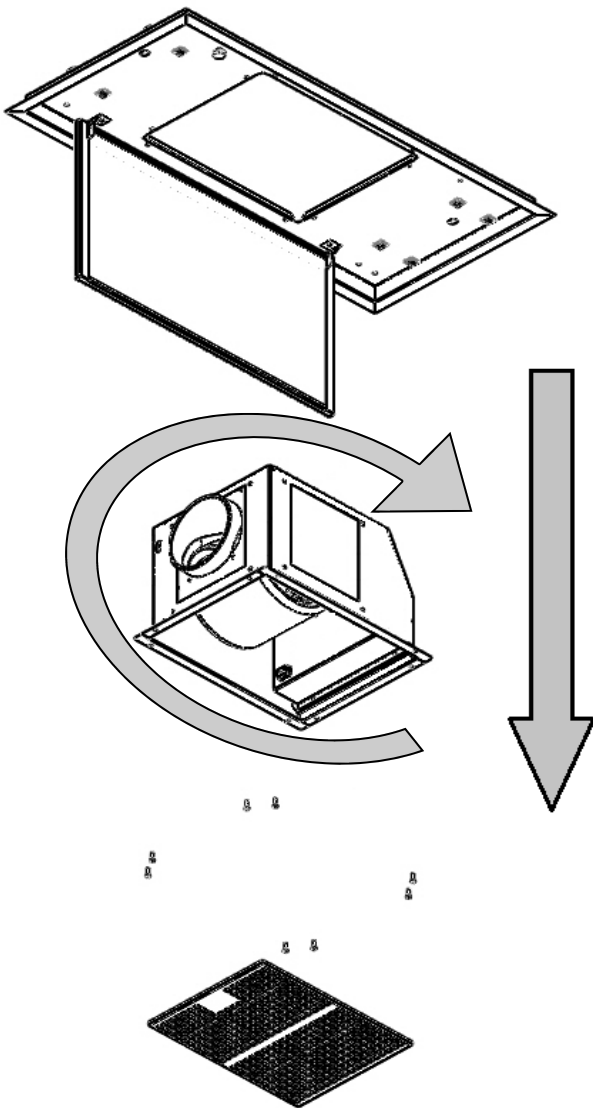


E-295 CEILING HOOD INSTALLATION GUIDE

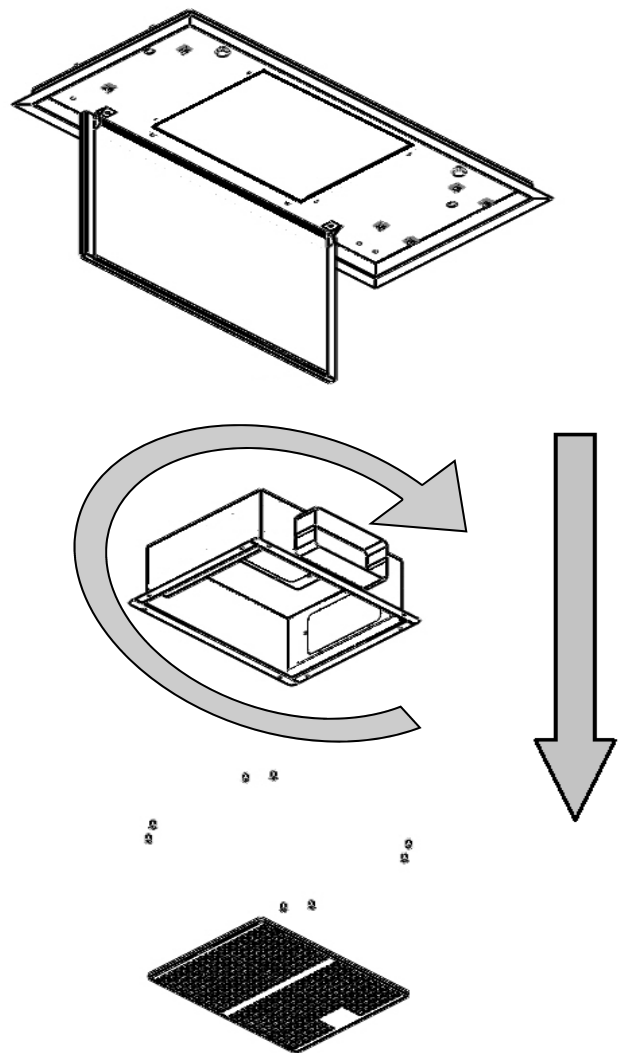
2.2- This ceiling hood model is designed so that it is easy to swap the motor air exhaust duct position. If required, please follow the following instructions:

1. Open the panel of the ceiling hood.
2. Dismantle and remove the filters.
3. Unscrew the motor box.
4. Rotate the motor box until the required position.
5. Screw the motor box.
6. Assemble the filters.
7. Close the panel of the ceiling hood.

INTERNAL MOTOR VERSION



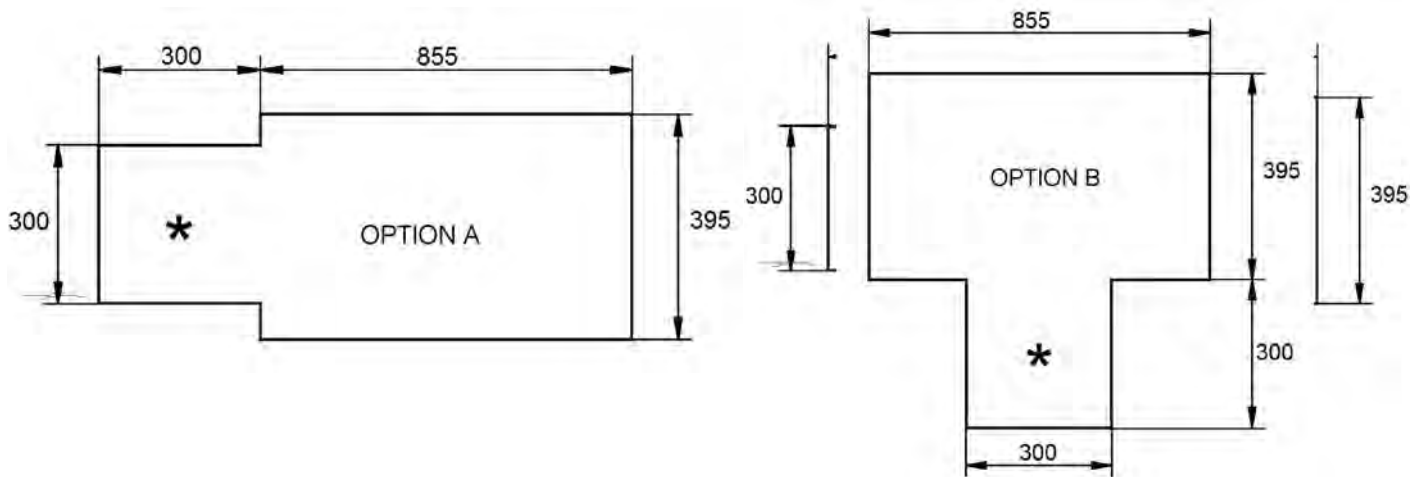
EXTERNAL MOTOR VERSION



3.- MAKING THE OPENING

If the ceiling hood is going to be fitted between the joists, the air exhaust duct position can be placed on the short side, only, and the opening dimensions will be as detailed in **A OPTION**, only.

If the ceiling hood is going to be installed with threaded rods, it will can be installed according to the opening dimensions detailed in option A or the opening dimensions detailed in **B OPTION**, as seen in page 2.



*** REMARK:** 300mm x 300mm is the opening reserved to make easy the attach of the air exhaust duct to the hood air outlet. It will be closed when this task is finished.

4.- HOLDING IN THE CEILING

There are two ways to hold the ceiling hood:

A SYSTEM - Using threaded rods (M8 size) to adjust the length between the rough ceiling and the suspended ceiling.

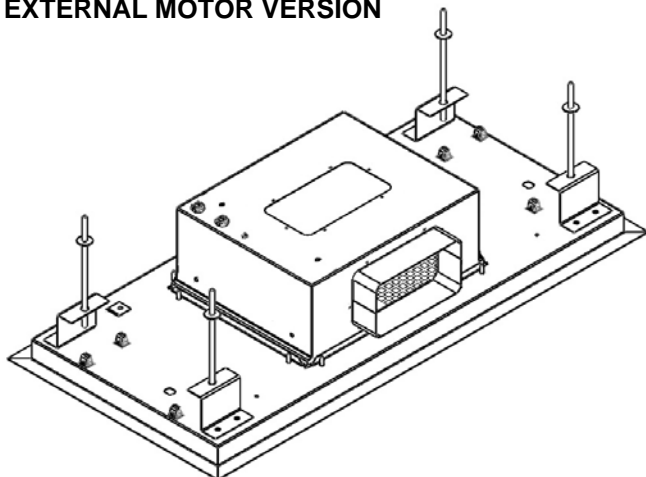
B SYSTEM - Fitting between the joists.

REMARK!

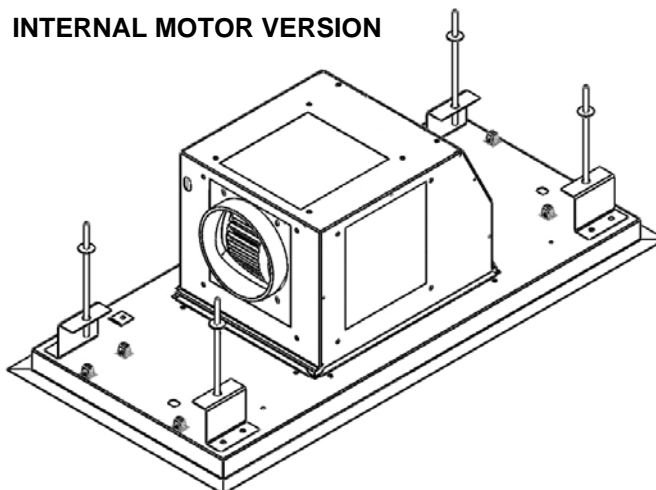
The M8 size threaded rods are not supplied with the provided accesories. Please read carefully the following instructions to adjust the threaded rods with the correct length. The hood can be damaged if these instructions are not followed to the letter.

A SYSTEM - Using threaded rods (M8 size).

EXTERNAL MOTOR VERSION



INTERNAL MOTOR VERSION



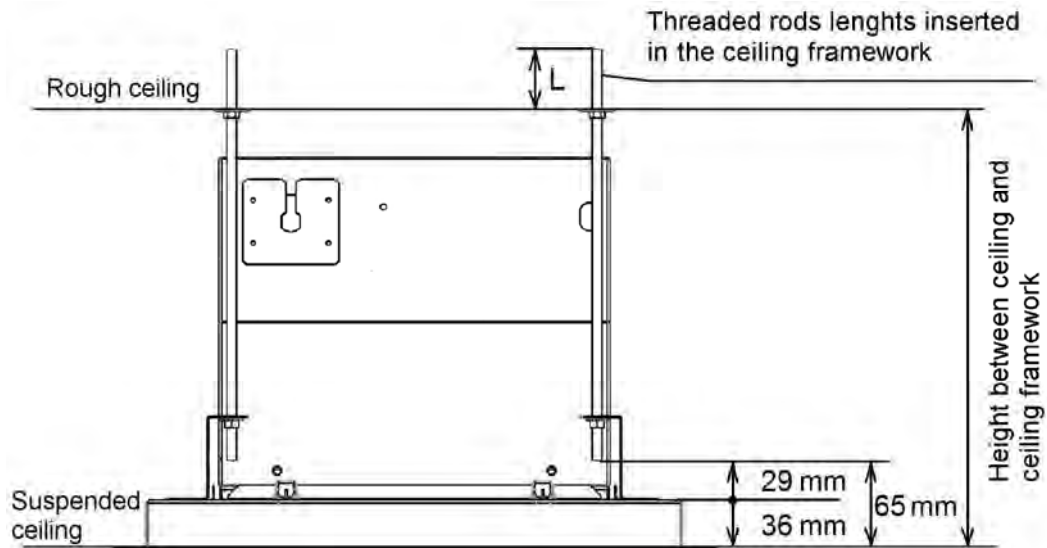
E-295 CEILING HOOD INSTALLATION GUIDE

The threaded rods length must be the height between the rough ceiling and the suspended ceiling (the length "L" inserted in the rough ceiling is not included) minus 65mm, according to the following image:

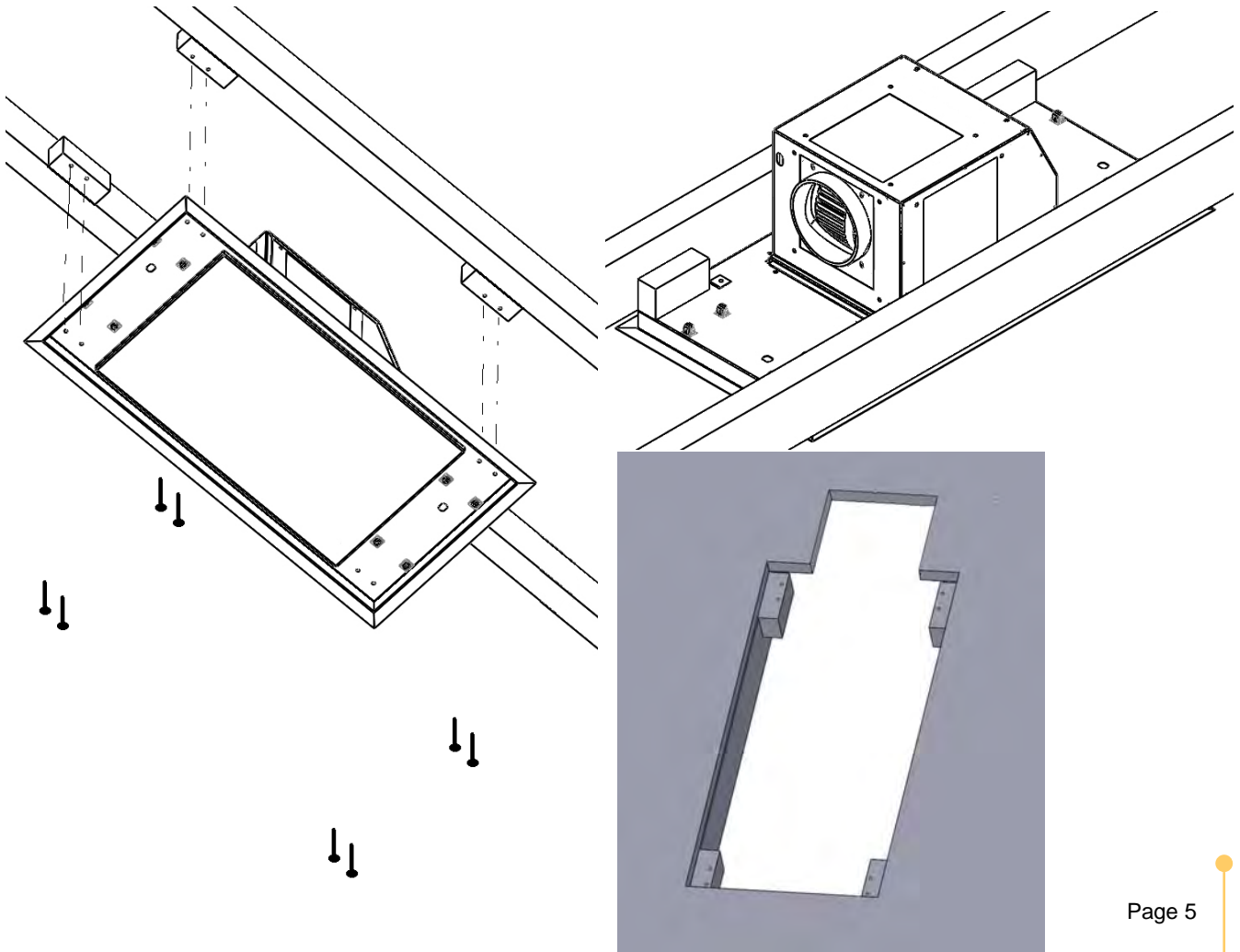
36 mm - ceiling hood thickness.

29 mm - allowed tolerance to avoid damaging the hood.

Image and dimensions valid for both motor versions (internal and external).



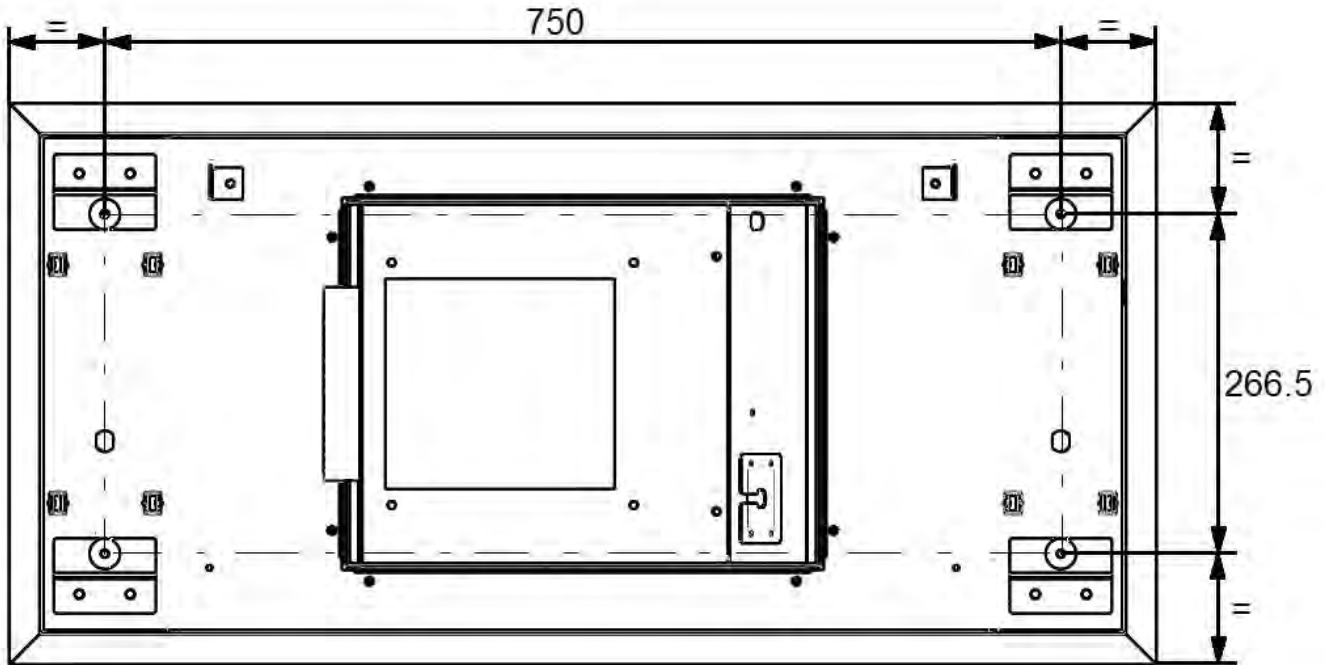
B SYSTEM - Fitting between the joists.



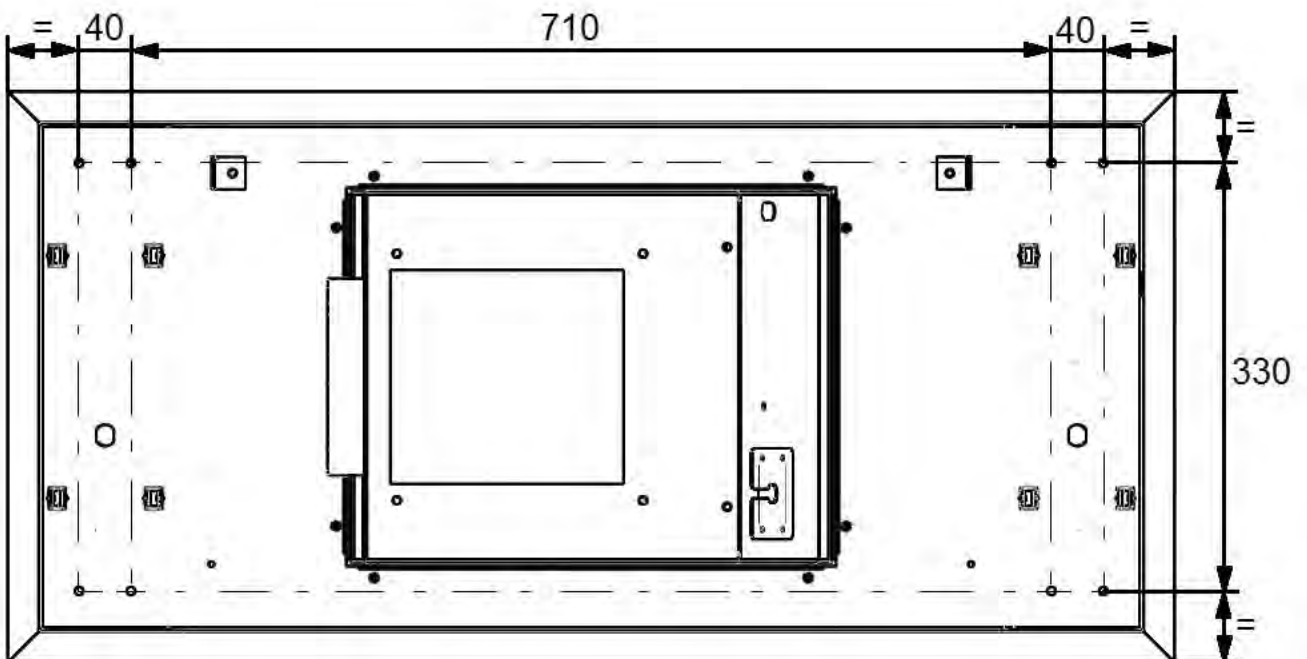
E-295 CEILING HOOD INSTALLATION GUIDE

To wear the holes in the ceiling, please select the right fitting option:

Option A - Fitting the ceiling hood with M8 size threaded rods.

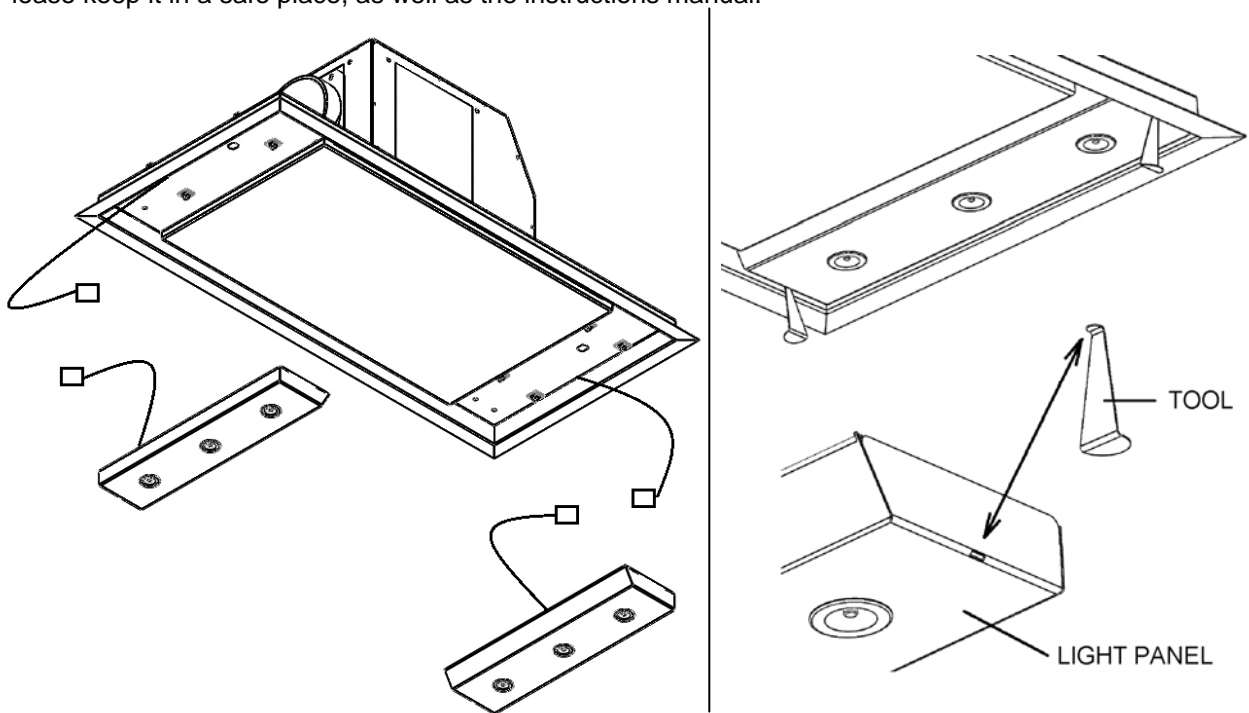


Option B - Fitting between the joists.



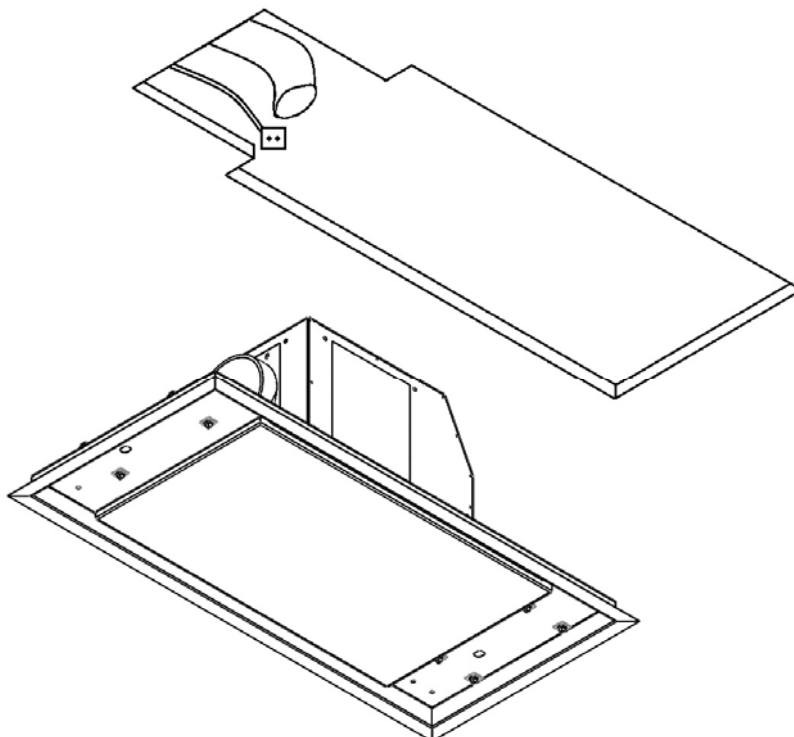
5.- PREPARING THE CEILING HOOD TO BE FITTED

The ceiling hood is provided with the light panels detached. A hook shaped or nipper shaped tool is supplied with the provided accessories, to be used to detach the light panels in case they are attached, if necessary. Please keep it in a safe place, as well as the instructions manual.



One end from the $\text{Ø}150$ exhaust duct will hang downwards about 30 cm from the suspended ceiling. Cut and remove the excess length to avoid any unwanted elbow when the duct is attached to the ceiling hood air outlet. The other end will be connected to the duct run.

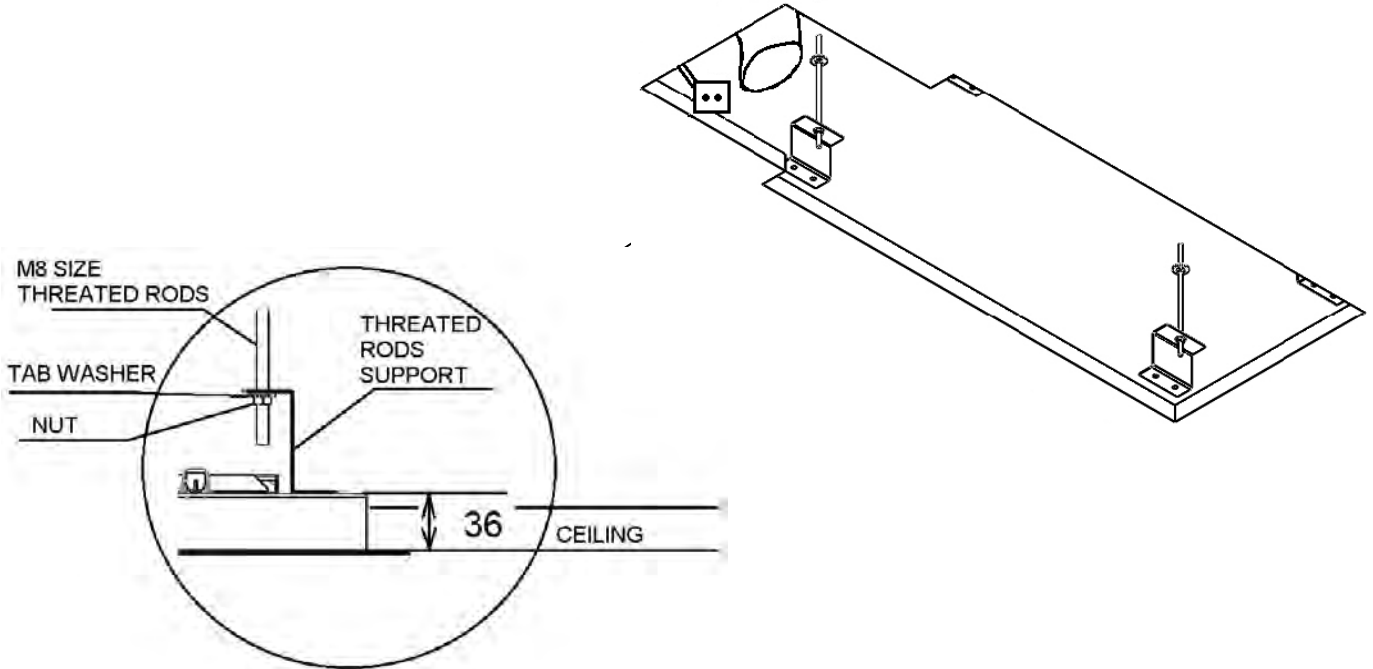
REMARK! Try to seal the junctions between the adaptor and the duct, to avoid having any air loss. Finally, use aluminium tape or plastic clamps to seal all the whole.



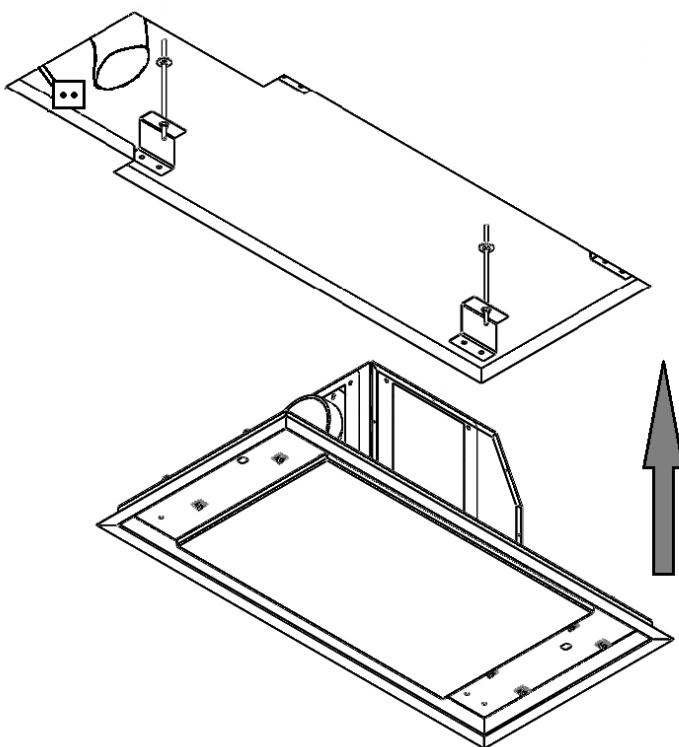
6.- RAISING, FITTING AND ELECTRICAL CONNECTION

OPTION A - FITTING THE CEILING HOOD WITH M8 SIZE THREADED RODS.

Place the threaded rods into the holes made previously in the rough ceiling. Insert the M8 size brackets, the tab washers and the nuts through the threaded rods, leaving the tab washers at the appropriate position so that the distance between the suspended ceiling and the support must be 36 mm when the nuts are tapped, so the ceiling hood will be placed at the required height.



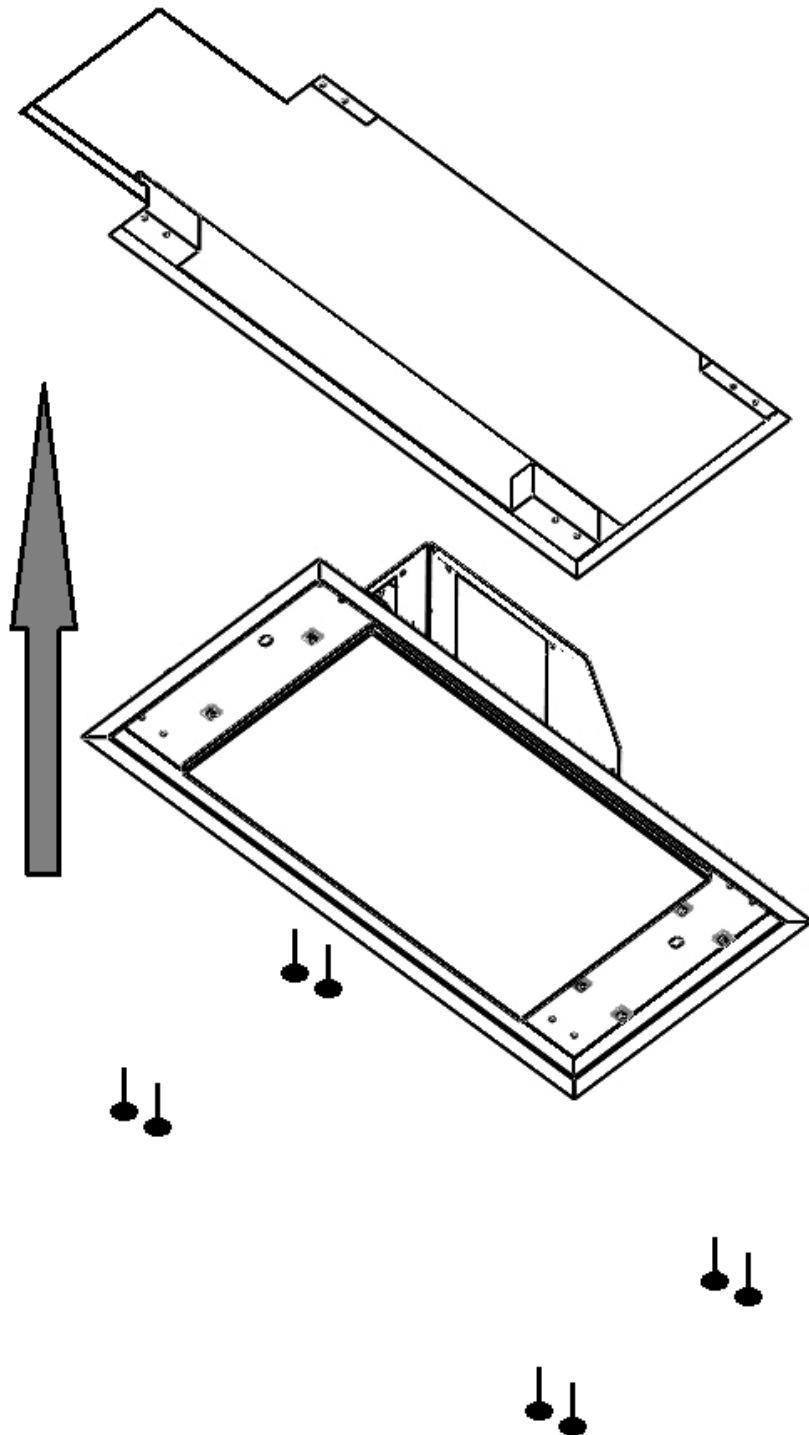
Once the threaded rods are tapped in the rough ceiling and placed in the supports at the required height, the ceiling hood will be raised and fixed with the provided screws. The edge of the hood must be completely aligned with the suspended ceiling.



E-295 CEILING HOOD INSTALLATION GUIDE

OPTION B - FITTING BETWEEN THE JOISTS.

Fit the hood in the opening so that the edge of the hood must be completely aligned with the suspended ceiling. Fix it to the wood rawlplug previously drilled.



ELECTRICAL CONEXIÓN: (This operation has to be carried out by a specialized technician).

WARNING! Before performing visual inspections, tests, or maintenance on this equipment, disconnect all sources of electric power. Assume that all circuits are live until they have been completely de-energized, tested, and tagged.

The hood must be powered from a steady power supply, according to its technical requirements (see the hood plate).

The hood should be powered on from an independent line from the main switch to avoid any propagated disturbance coming from other electric devices connected to the same network (like fluorescent lights).

The supply connector should be approachable to be plugged and unplugged. Otherwise, a switch should be provided and installed according to the local electrical regulations.

The electrical connection must be wired according to the local electric regulations.

Power supply wiring codification:
Green / Yellow = Earth ground
Blue = Neutral
Brown = Line / phase

Any liability will be declined in case of an accident originated by a missing earth ground connection or a bad earth ground connection.

If the power supply cord is damaged please contact the official after-sales service to avoid any electrical risk..

Turn off all power supplying the ceiling hood and the equipment in which it is installed before working on it.

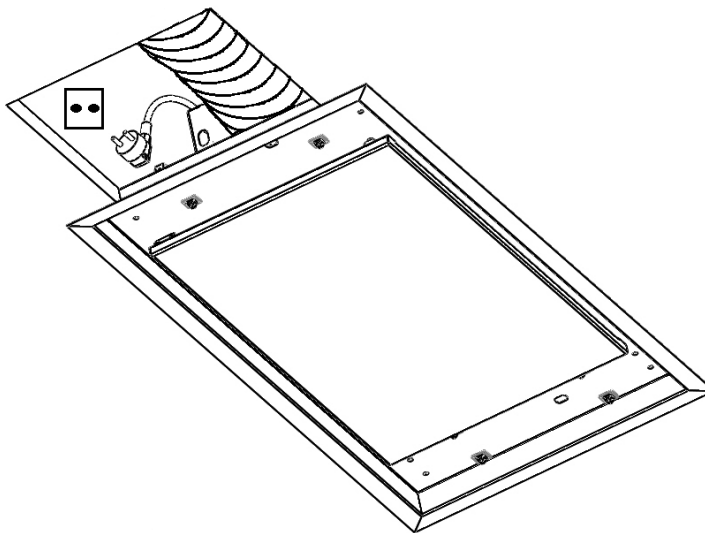
E-295 CEILING HOOD INSTALLATION GUIDE

The Ø150 mm hood air outlet must be connected to the air exhaust duct. A shape adaptor will be required to attach the rectangular outlet to an circular section air exhaust duct.

REMARK! Try to seal the junctions between the adaptor and the duct, to avoid having any air loss. Finally, use aluminium tape or plastic clamps to seal all the whole.

Plug the ceiling hood to the electrical network.

WARNING! Before plugging it, disconnect all sources of electric power until all the installation tasks are completely finished.



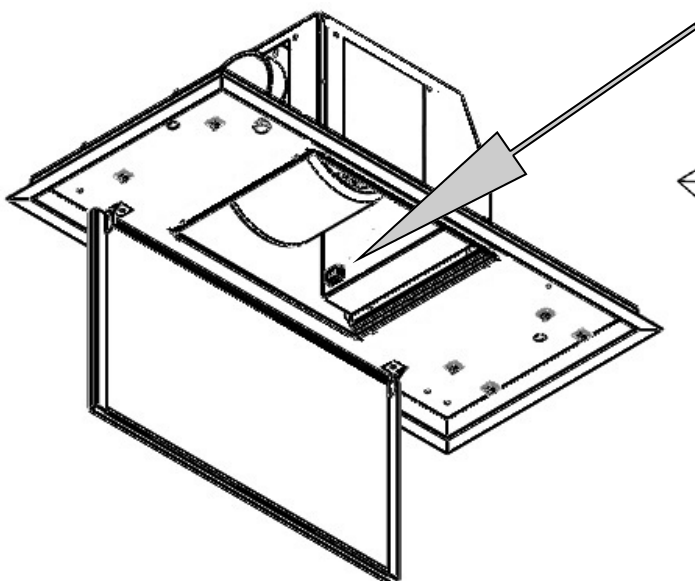
Once the hood is powered on, verify that all the air conducts are sealed before closing the opening on the suspended ceiling.

6.– SWITCHING ON

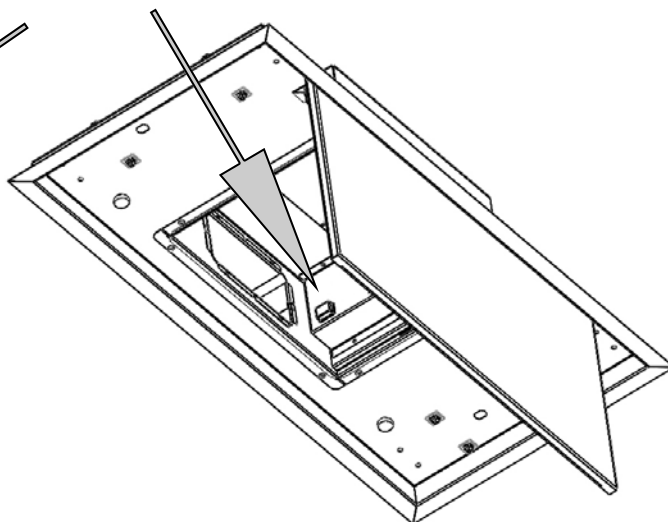
The ON/OFF button is placed under the filters. Open the front panel and remove the filter to switch it on/off.

REMARK!! Please follow the instructions detailed in page 12 to synchronize the remote control during the 15 seconds after the hood is powered and turned on, by pressing the LIGHT key in the remote control.

INTERNAL MOTOR VERSION



EXTERNAL MOTOR VERSION



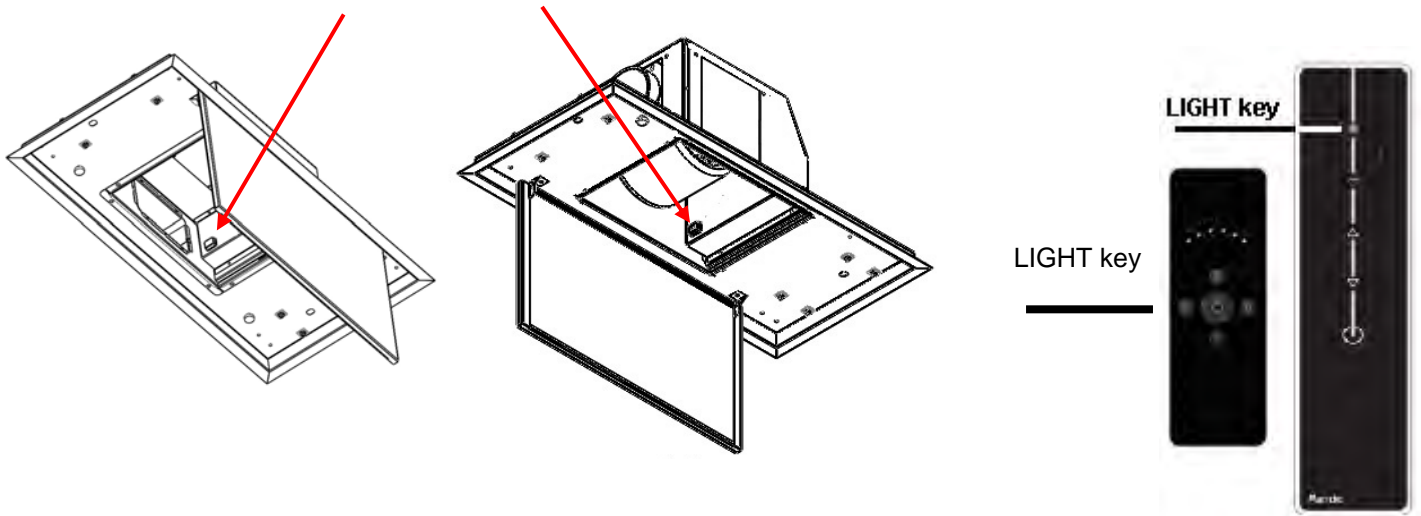
CEILING HOOD TURNING ON AND COMISSIONING * REMOTE CONTROL SYNCHRONISING

Turn on the electrical circuit from the main electrical switchboard.

Open the front panel and remove the filter to access the ON/OFF switch. Turn it on (please see the appropriate images, according to the hood motor version).

REMARK!!

* Press the LIGHT button on your remote control **during the 15 seconds after the hood is powered and switched on**, so that the hood can receive the synchronisation signal. The synchronisation process will end when the ceiling hood lights turns on.



* The synchronisation between the remote control and the ceiling hood can be lost by power cuts o blackouts. Please repeat the synchronisation process when necessary.

* Synchronisation process:

1º.- Turn off the swith from the main electrical switchboard, or turn the ceiling hood switch button to OFF.

2º.- Turn on the swith from the main electrical switchboard, or turn the ceiling hood switch button to ON.

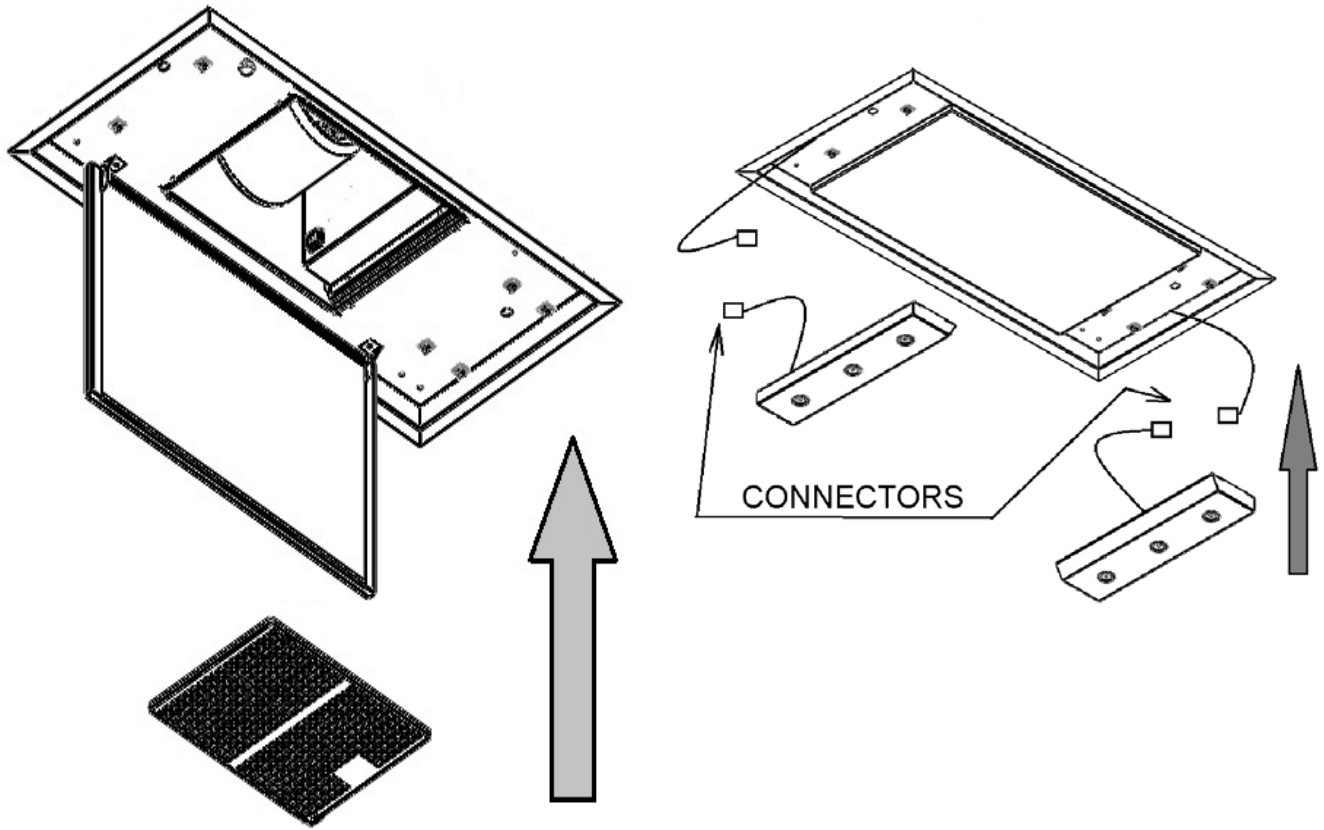
3º.- Press the LIGHT button on your remote control during the 15 seconds after the hood is powered and switched on, so that the hood can receive the synchronisation signal.

4º.- The synchronisation process will end when the ceiling hood lights turns on.

7.- PLACE THE FILTER AND CLOSE THE FRONT PANEL

Place the filters and close the front panel.

Before placing the light panels, plug the connectors, adjust the light panels and press slightly to fit them .



Your *Award* ceiling hood is ready!





Award Appliances (NZ) Limited

E-mail: sales@award.co.nz

www.awardappliances.co.nz