



PPS60/2

PPS90/2

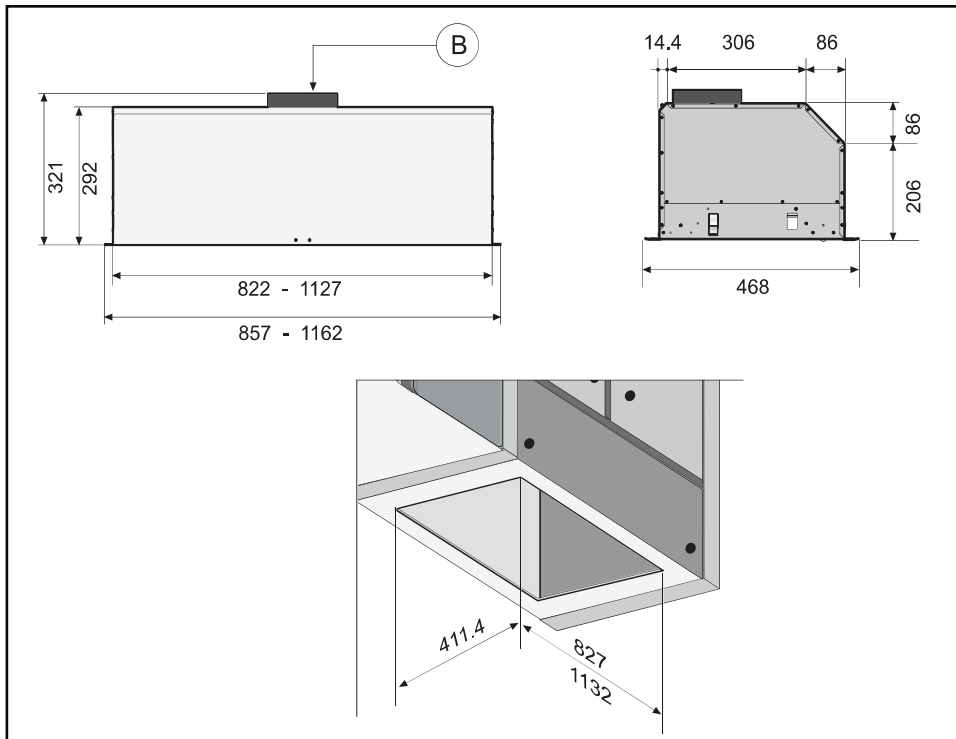


Fig.1

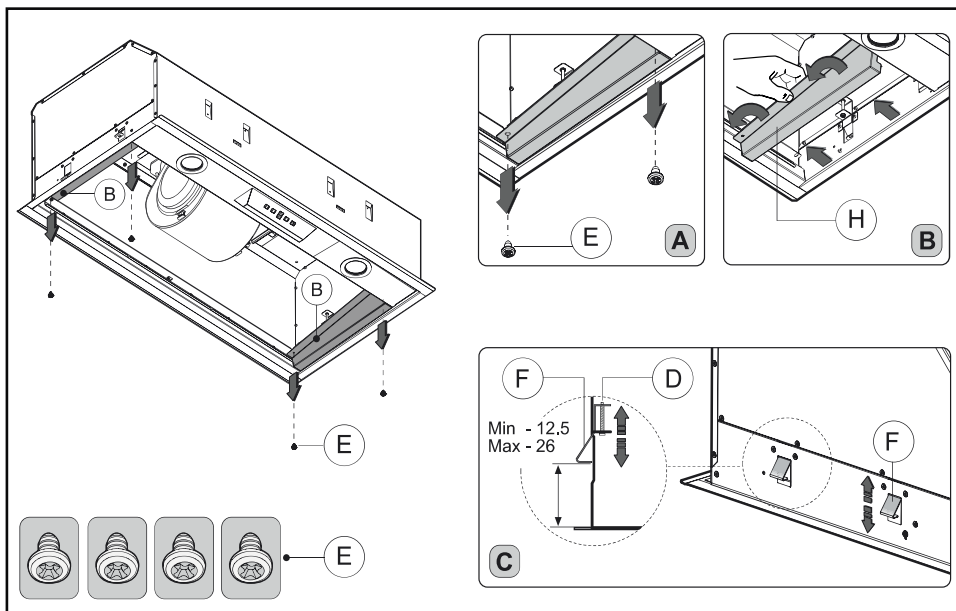


Fig.2

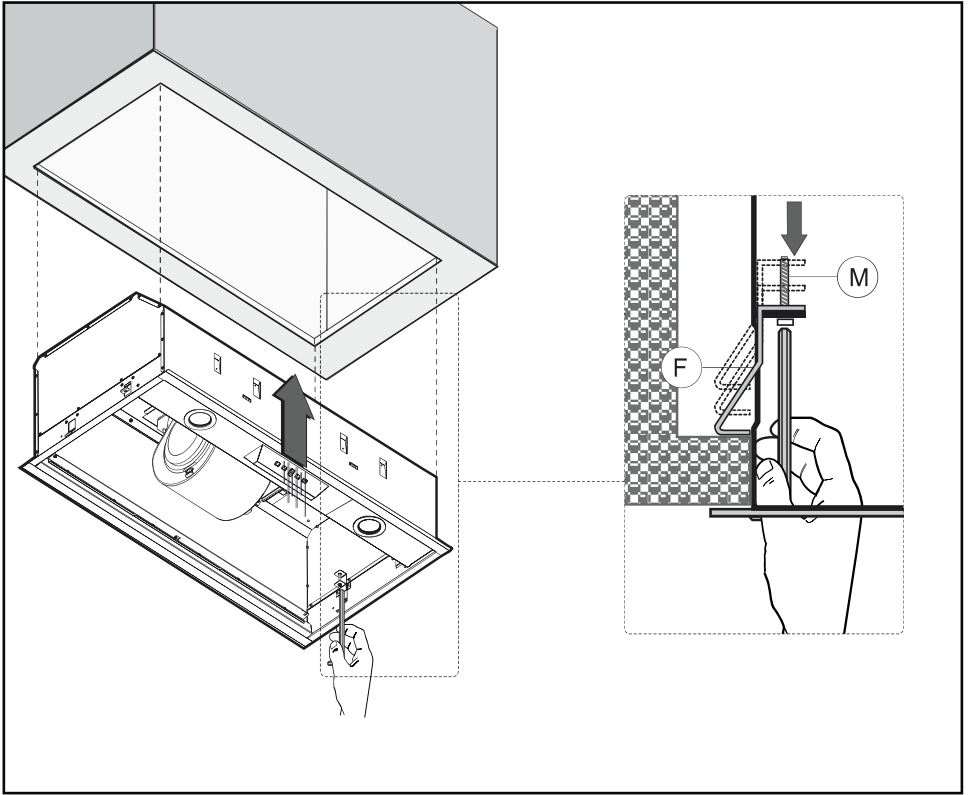


Fig.3

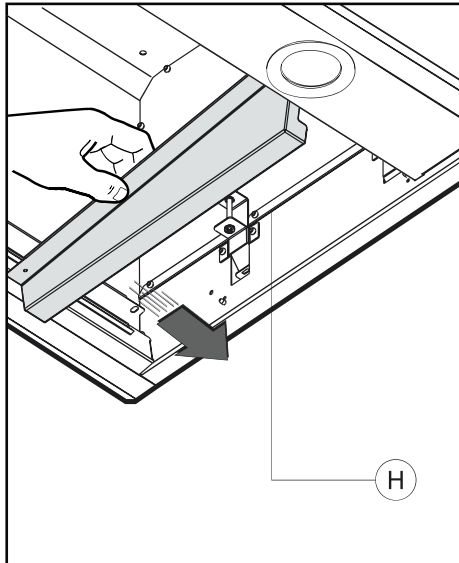


Fig.4

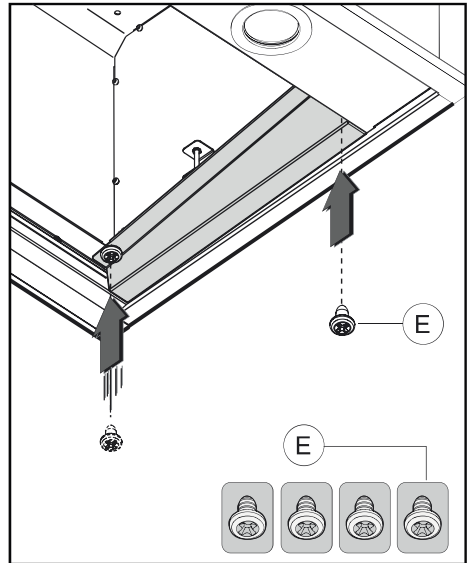


Fig.5

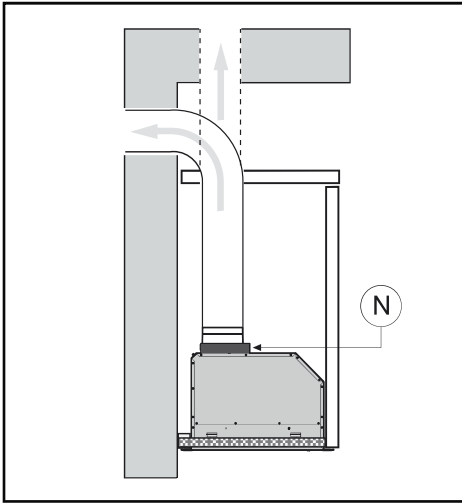


Fig.6

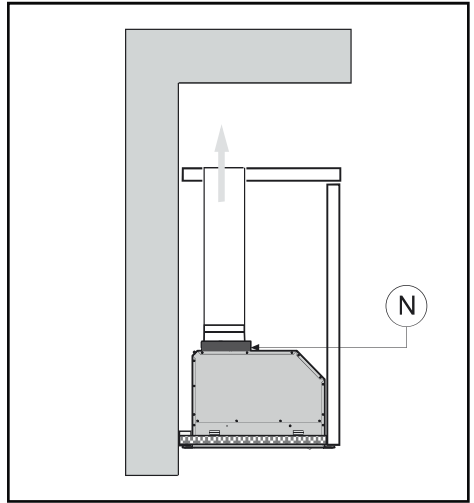


Fig.7

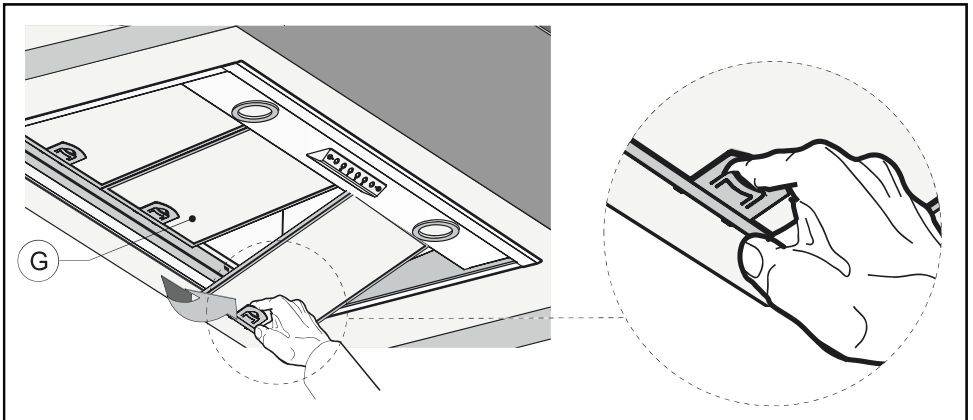


Fig.8

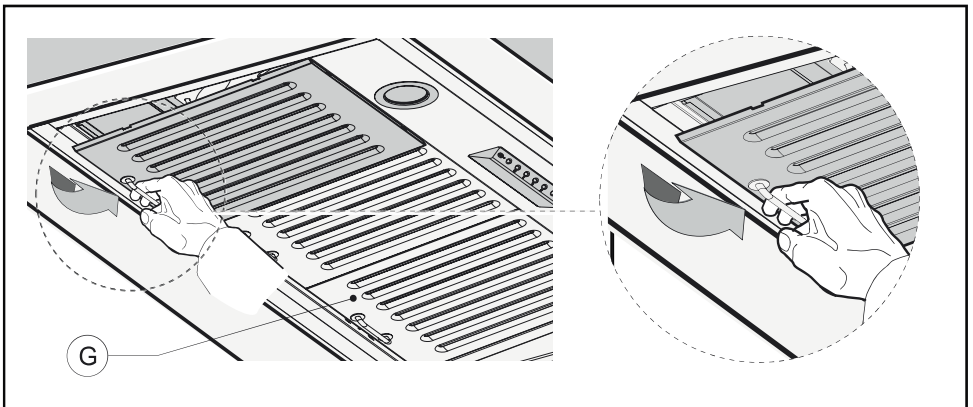


Fig.9

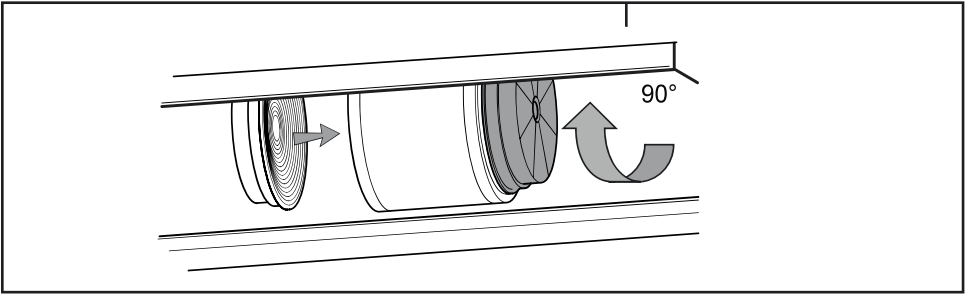


Fig.10

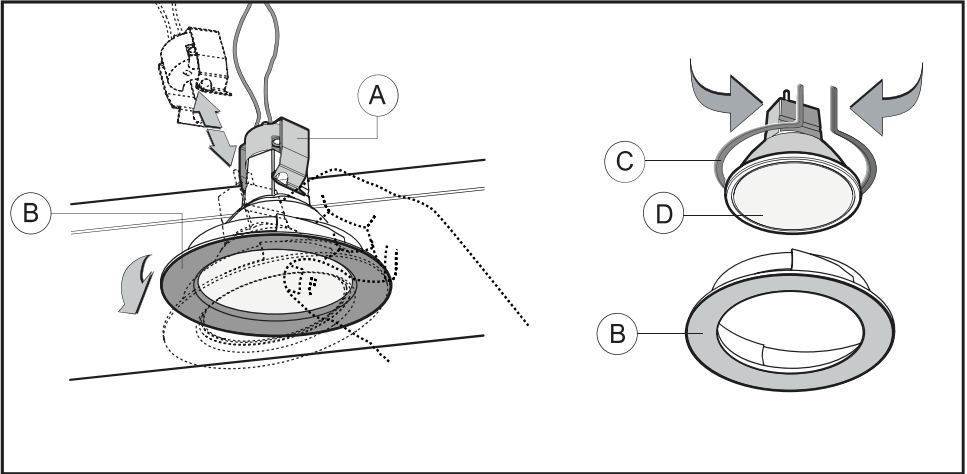


Fig.11

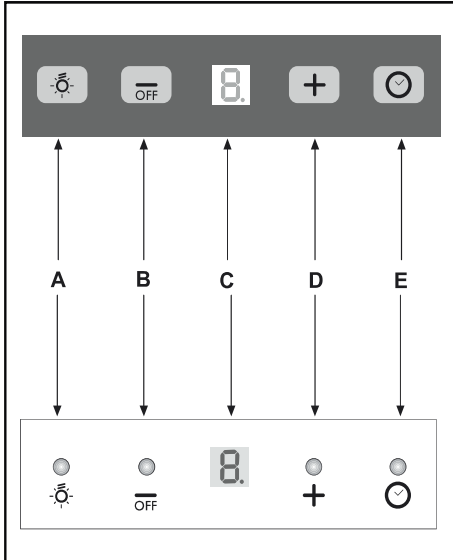


Fig.12

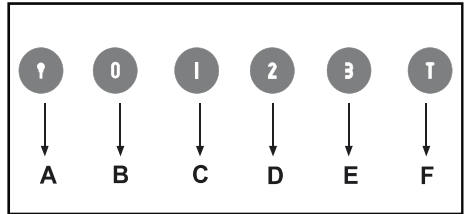


Fig.13

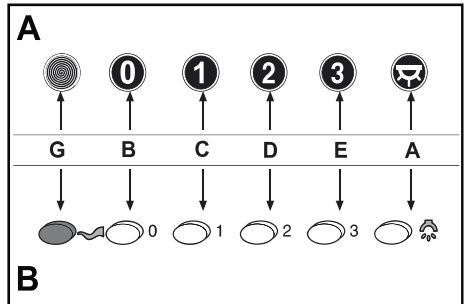


Fig.14

GENERAL

Carefully read the following important information regarding installation safety and maintenance. Keep this information booklet accessible for further consultations. The rangehood has been designed for use in the ducting version (air exhaust to the outside - Fig.6) or filtering version (air circulation on the inside - Fig.7).

SAFETY PRECAUTION

1. Take care when the rangehood is operating simultaneously with an open fireplace or burner that depend on the air in the environment and are supplied by other than electrical energy, as the rangehood removes the air from the environment which a burner or fireplace need for combustion. The negative pressure in the environment must not exceed 4Pa (4x10⁻⁵ bar). Provide adequate ventilation in the environment for a safe operation of the rangehood. Follow the local laws applicable for external air evacuation.

Before connecting the rangehood to the electricity network:

- Consult the data plate (positioned inside the rangehood) to ascertain that the voltage and power correspond to the network and the socket is suitable. If in doubt ask a qualified electrician.

- If the power supply cable is damaged, it must be replaced with another cable or a special assembly, which may be obtained direct from the manufacturer or from the Technical Assistance Centre.

2. Warning!

In certain circumstances electrical appliances may be a danger hazard.

A) Do not check the status of the filters while the rangehood is operating.

B) Do not touch bulbs or adjacent areas, during or straight after prolonged use.

C) Flambè cooking is prohibited underneath the rangehood.

D) Avoid free flame, as it is damaging for the filters and a fire hazard.

E) Constantly check food frying as overheated oil may become a fire hazard.

F) Disconnect the electrical plug prior to any maintenance.

G) This rangehood is not intended for use by young children or infirm persons without supervision.

H) Young children should be supervised to ensure they do not play with the rangehood.

I) There shall be adequate ventilation of the room when the rangehood is used at the same time as appliances burning gas or other fuels.

L) There is a risk of fire if cleaning is not carried out in accordance with the instructions.

This rangehood conforms to the European Directive 2012/19/EU, Waste Electrical and Electronic Equipment (WEEE). By making sure that this rangehood is disposed of in a suitable manner, the user is helping to prevent potential damage to the environment or to public health.



The symbol on the rangehood or on the accompanying paperwork indicates that the rangehood should not be treated as domestic waste, but should be delivered to a suitable electric and electronic appliance recycling collection

point. Follow local guidelines when disposing of waste. For more information on the treatment, re-use and recycling of this rangehood, please contact your local authority, domestic waste collection service or the shop where the rangehood was purchased.

INSTALLATION INSTRUCTIONS

• **Assembly and electrical connections must be carried out by specialised personnel.**

• Electric Connection:

The rangehood has been manufactured as a class II, therefore no earth cable is necessary.

The connection to the mains is carried out as follows:

BROWN = L line

BLUE = N neutral.

If not provided, connect a plug for the electrical load indicated on the description label. Where a plug is provided, the rangehood must be installed in order that the plug is easily accessible.

An omnipolar switch with a minimum opening of 3mm between contacts, in line with the electrical load and local standards, must be placed between the rangehood and the network in the case of direct connection to the electrical network.

• The minimum distance between the support surfaces of the cooking pots on the cooker top and the lowest part of the rangehood must be at least 65 cm.

If a connection tube composed of two parts is used, the upper part must be placed outside the lower part.

Do not connect the rangehood exhaust to the same conductor used to circulate hot air or for evacuating fumes from other appliances generated by other than an electrical source.

Before proceeding with the assembly operations, remove the anti-grease filter(s) (Fig.19) so that the unit is easier to handle. In the case of assembly of the rangehood in the suction version prepare the hole for evacuation of the air.

• We recommend the use of an air exhaust pipe with a diameter of 150. If a pipe with a smaller diameter is used, the efficiency of the rangehood may be reduced and its operation may become noisier.

• Replacing the halogen light bulbs (Fig. 17):

- Remove the light bulb from its holder, using a lever motion at the front as indicated in Fig. 11.

- Pull out connector **A**.

- Remove spring **C** fixing the light bulb to holder **B** and replace bulb **D** with a new one which has exactly the same characteristics.

- Follow the above steps in the reverse order to reassemble the parts.

OPTIONAL EXTRA (fig. 9)

The rangehood may also be supplied with the **BAFFLE FILTER** suction system fitted.

This is a suction system which offers improved performance with respect to the classic aluminium filters. Its structure means it is able to retain grease particles, thereby reducing noise to a minimum. It should be washed regularly every 15 to 30 days in order to prevent the oil from leaking out; this may be done by hand or using the dishwasher.

• INSTALLATION:

The following instruction should be followed to carry out the correct installation of the rangehood.

- 1) Mounting of the rangehood on the lower side of the joinery.
- 2) Selection of the version (extraction or filtration)

• FITTING THE RANGEHOOD INTO THE LOWER PART OF THE WALL CABINET

For all measurements relating to the rangehood, please refer to Fig. 1.

Before fixing the rangehood to the lower part of the cabinet, the following steps should be performed:

1. Remove the 4 screws **E** fixing the two rangehood brackets **H** (RHS and LHS) in place as indicated in Fig. 2A.
2. Remove the brackets **H** as shown in Fig. 2B.
3. Make sure the thickness of the cabinet falls within the range of values listed in Fig. 2C.

Fit the rangehood in the cabinet (Fig. 3) and make sure the 4 springs are fixed in place well.

Fix the rangehood to the cabinet securely by using a screwdriver to tighten the screws **M** until the rangehood is flush with the cabinet (Fig. 3).

• EXTRACTOR VERSION

When installed in this way the rangehood expels fumes outside, either through a perimeter wall or through existing ducting.

It is therefore necessary to purchase a non-flammable air exhaust tube (not supplied) which complies with all current legislation and connect it to flange **N** (Fig. 6).

• FILTER VERSION

To transform an extractor hood version into a filter hood version, contact your appliance dealer and ask for active carbon filters.

The filters should be fitted to the extraction assembly inside the rangehood, by centring them and rotating them 90 degrees, until they click into place (Fig. 10). Remove panels **G** when performing this procedure (Fig. 8 - 9). The air is released back into the room through an air exhaust pipe which passes through the cabinet and is connected to air exhaust hole **N** (Fig. 7).

USE AND MAINTENANCE

• We recommend that the rangehood is switched on before any food is cooked. We also recommend that the rangehood is left running for 15 minutes after the food is cooked, in order to thoroughly eliminate all contaminated air.

The effective performance of the rangehood depends on constant maintenance; the anti-grease filter and the active carbon filter both require special attention.

• The anti-grease filter is used to trap any grease particles suspended in the air, therefore is subject to saturation (the time it takes for the filter to become saturated depends on the way in which the rangehood is used).

The acrylic filter, which is found resting on the grille, should be replaced when the text, visible through the grille, changes colour and the ink spreads; the new filter should be fitted in such a way that the text can be seen through the grille from outside the rangehood.

If the filters do not have any text on them, or if metal filters or aluminium panel filters are used, they should be washed every 2 months in order to prevent the risk of fire. To wash the filters, proceed as follows:

- Remove the filter from the grille and wash it using a solution of water and neutral liquid detergent, leaving the dirt to soften.

- Rinse thoroughly with warm water and leave to dry.

The metal filters and/or aluminium panel are also dishwasher safe. If the filters are made using aluminium, or if an aluminium

panel is used, after a few washes the colour may change. This does not mean they have to be replaced.

If the replacement and washing instructions are not followed, the anti-grease filters may present a fire hazard.

• The active carbon filters are used to purify the air which is released back into the room. The filters are not washable or re-usable and must be replaced at least once every four months. The active carbon filter saturation level depends on the frequency with which the rangehood is used, the type of cooking performed and the regularity with which the anti-grease filters are cleaned.

• Remove build-up from the fan and other surfaces of the rangehood regularly using a cloth moistened with denatured alcohol or non-abrasive neutral liquid detergent.

• The light on the rangehood is designed for use during cooking and not for general room illumination. Extended use of the light reduces the average duration of the bulb.

COMMANDS: (Fig.12)

Push-button A = on/off lights switch

Push-button B = on/off rangehood switch. The rangehood switches on at speed level 1, If the rangehood is on depress the push-button for 2 sec. to switch off the rangehood. If the rangehood is at speed level 1 it will not be necessary to depress the push-button to switch the rangehood off. Decreases the motor speed.

Display C = indicates the motor speed level selected and activates the timer.

Push-button D = switches on the rangehood. Increases the motor speed. Touching the key at 3rd speed, the intensive function runs for 10', then the rangehood returns to work at the original speed. During this function the display blinks.

Key E = The Timer times the functions on activation for 15 minutes, after which they are switched off. The Timer is deactivated by re-pressing **Key E**. When the Timer is activated the decimal point must flash on the display. The Timer cannot be activated if the intensive speed is functioning.

The "clean air" function is activated by pressing key **E** for 2 seconds when the rangehood is switched off. This switches the motor on for 10 minutes every hour at the first speed.

During functioning a rotary movement of the peripheral segments must be visualised on the display. When this time has passed the motor switches off and the fixed letter "C" must be visualised on the display until the motor re-starts after 50 minutes for another 10 minutes and so on. Press any key apart from the light keys to return to normal functioning. Press key **E** to deactivate the function.

• Active carbon/grease filter saturation:

- When display item **C** flashes, at a speed where it alternates with the letter **F** (e.g. 1 and **F**), the grease filters must be washed.

- When display item **C** flashes, at a speed where it alternates with the letter **A** (e.g. 1 and **A**), the **carbon** filters must be replaced.

After the clean filter has been positioned correctly, the electronic memory must be reset by pressing button **A** for approximately 5 seconds, until the indication **F** or **A** shown on the display **C** stops flashing.

• COMMANDS:

(Fig.13) **LUMINOUS** the key symbols are explained below:

A = LIGHT

B = OFF

C = SPEED I

D = SPEED II

E = SPEED III

F = AUTOMATIC STOP TIMER - 15 minutes (*)

- If your rangehood does not have the **INTENSIVE** speed function, press key **E** for two seconds and it will be activated for 10 minutes after which it will return to the previously set speed. When the function is active the LED flashes. To interrupt it before the 10 minutes have expired press key **E** again.

- By pressing key **F** for two seconds (with the rangehood switched off) the "**clean air**" function is activated. This function switches the rangehood on for ten minutes every hour at the first speed. As soon as this function is activated the motor starts up at the first speed for ten minutes, during this time key **F** and key **C** must flash at the same time.

After ten minutes the motor switches off and the LED of key **F** remains switched on with a fixed light until the motor starts up again at the first speed after fifty minutes and keys **F** and **C** start to flash again for ten minutes and so on.

By pressing any key for the exclusion of the rangehood light the rangehood will return immediately to its normal functioning (e.g. if key **D** is pressed the "**clean air**" function is deactivated and the motor moves to the 2nd speed straight away. By pressing key **B** the function is deactivated).

(*) The "**automatic stop timer**" delays stopping of the rangehood, which will continue functioning for 15 minutes at the operating speed set at the time this function is activated.

• **Active carbon/grease filter saturation:**

- When button **A** flashes at a frequency of **2 seconds**, the **grease** filters must be cleaned.

- When button **A** flashes at a frequency of **0.5 seconds**, the **carbon** filters must be replaced.

After the clean filter has been replaced, the electronic memory must be reset by pressing button **A** for approximately **5 seconds**, until the light on the button stops flashing.

• **COMMANDS:**(Fig.14A)/MECHANICAL_(Fig.14B) Elliptic the key symbols are explained below:

A = LIGHT

B = OFF

C = SPEED I

D = SPEED II

E = SPEED III

G = MOTOR WORKING indicator

THE MANUFACTURER DECLINES ALL RESPONSIBILITY FOR EVENTUAL DAMAGES CAUSED BY BREACHING THE ABOVE WARNINGS.



Award Appliances (NZ) Limited
E-mail: sales@award.co.nz
www.awardappliances.co.nz