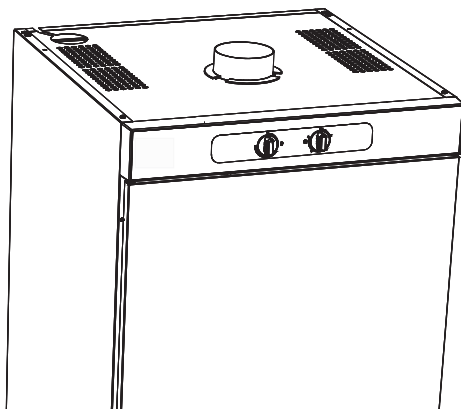




AWARD

Easy Dryer 1700



427001258

Keep this manual so that it will always be on hand for future reference.

ED Drying cabinet

User manual

Dear customer,

Congratulations on making an excellent choice of product.

We at Award thank you for your trust and hope that you will enjoy using your new drying cabinet.

A good drying cabinet should be well designed, dry clothes well, have a low environmental impact, be user-friendly, save time and energy, have a long service life and be reliable. Award offers you all these features.

When you buy an Award Easy Dryer 1700 you can be sure that the inside is just as good as the outside and that the ethics and morals that go into building this Easy Dryer are just as high as the quality and function you are getting. That's what Swedish quality is all about.

Before using the Easy Dryer for the first time, please read the user instructions and the advice on caring for the Easy Dryer. This will help you get the best possible results from your Easy Dryer and all its functions.

If you have any questions, do not hesitate to call us or to contact us through our website.

Article and serial number

See page 20



Art. No: 427001258 Rev 01

THIS USER MANUAL	4	MANAGEMENT OF END-OF-LIFE DRYING CABINET	21
SAFE OPERATION	5	TECHNICAL DATA	
DESCRIPTION OF THE DRYING CABINET	6	EASY DRYER 1700	22
UNPACKING	8	TROUBLESHOOTING	23
<i>PACKAGING MATERIALS</i>	8	<i>EASY DRYER</i>	23
<i>ASSEMBLY KIT</i>	9		
REHANGING OF DOOR	10	DIMENSIONAL DRAWING	24
POSITIONING/ATTACHMENT	11	WARRANTY	25
EVACUATION / SUPPLY AIR	12		
<i>CONNECTION TO EVACUATION</i>	12		
ELECTRICAL CONNECTION	14		
START-UP	15		
ARRANGING LAUNDRY FOR DRYING	16		
<i>USER TIPS</i>	16		
<i>AIR FLOW</i>	16		
BREAKDOWNS	17		
<i>OVERHEAT CUT-OUT</i>	17		
OPERATION EASY DRYER 1700	19		
<i>CONTROL PANEL</i>	19		
<i>CHOICE OF SETTINGS</i>	19		
CARE	20		
<i>CLEANING</i>	20		
<i>SERVICING</i>	20		

THIS USER MANUAL

The contents of this user manual describe the drying cabinet's **function** and **operation** and instructions for **installation** and **maintenance**.



Note: *Keep this user manual so that it is always to hand for future use*

This advice on safe operation has been compiled to enable you to avoid incorrect use and unnecessary risks of accidents and should be read before the drying cabinet is installed and used.

CAUTION This equipment is intended only to be used to dry fabrics washed in water.

□ **Applicable to installation**

The appliance is not intended for use by persons (including children) with various disabilities or inadequate experience and knowledge.

They may use the appliance only under supervision or if they have received instructions on how to use the appliance from a person who is responsible for their safety.

Children must be supervised to ensure that they do not play with the appliance.

□ **Applicable to all installation**

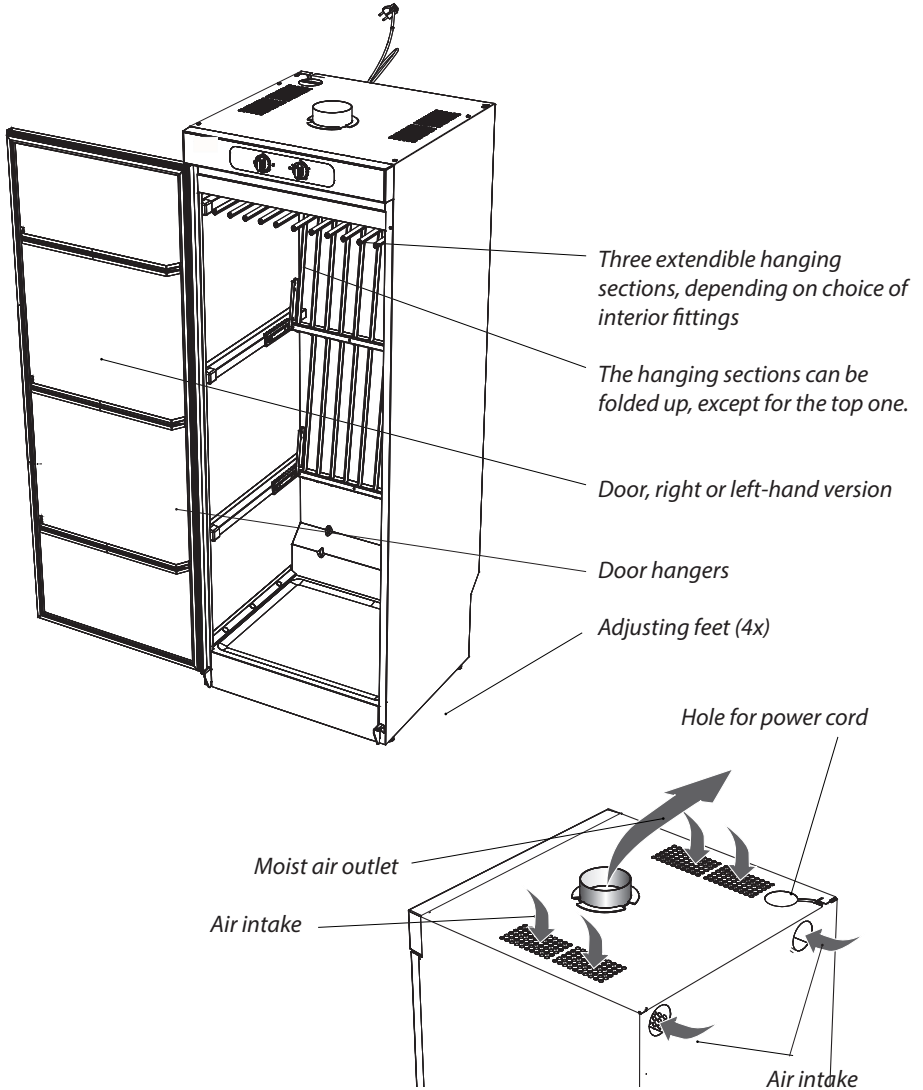
CAUTION To avoid danger due to accidental resetting of the over-heat cut-out this product must not be connected to an external switching device such as a timer or to a circuit that regularly turns the product on and off.

- If the power cord is damaged, it must be immediately replaced, and this must be done only by the manufacturer, the manufacturer's service agent or similarly qualified persons in order to avoid danger.

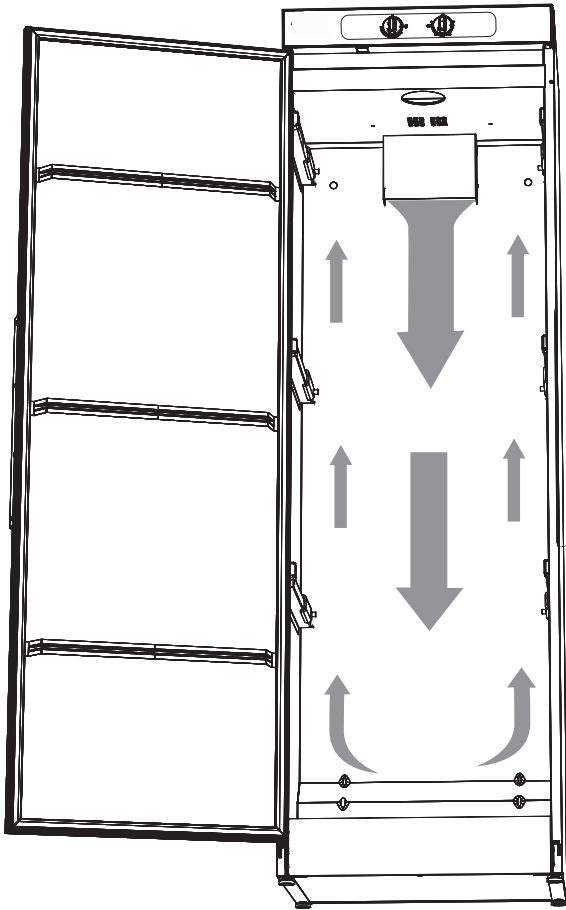
DESCRIPTION OF THE DRYING CABINET

The drying cabinet operates with hot air that removes moisture from the laundry. Heating and fan components are combined in the upper part of the drying cabinet behind the control panel.

Easy Dryer cabinet is controlled by two knobs, one for setting power modes and the other for regulating drying time.



AIR FLOW IN THE DRYING CABINET



Note the direction of air flow inside the cabinet when positioning laundry. See also this section.

UNPACKING

PACKAGING MATERIALS

The packaging that protects the drying cabinet against damage in transit has been chosen with concern for the environment in mind and is therefore recyclable.

Packaging that is returned to the material cycle means reduced consumption of raw materials and a smaller volume of waste.



*The drying cabinet must be handled carefully if it is standing unsupported on its pallet. **RISK OF TIPPING OVER***

The drying cabinet must be installed and kept indoors.

Check that all transport securing devices have been removed before connecting the drying cabinet.

Check that the product has not been damaged in transit. Any damage incurred in transit must be reported to the dealer immediately.



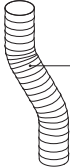




Packaging materials such as plastic and Styrofoam must be kept out of the reach of children.

After unpacking, check that the product is intact. Damage, defects and any missing parts must be reported to the dealer immediately.

A complete delivery must include:

- Cabinet with installed fan unit
- Assembly kit
- User manual

ASSEMBLY KIT

	Draught stabiliser	Qty 1		Plastic plug	Qty 2
	Hose, Ø 120 x 1000 mm	1		Spacer 8.2x12x15	2
	Spigot	1			
	Screw TRX 5x70 fzk	2			
	Washer NB 5x25	2			

REHANGING OF DOOR

The door may be right-hung or left-hung.

- 1 Lay the drying cabinet down on its side.
- 2 Loosen the hinge pin at the lower hinge (1) and lift off the door. Retain the washer (3).
- 3 Detach the hinge pin at the upper hinge (2) and install it on the opposite side. The pin has a slot for a screwdriver.
- 4 Rotate the door, fit and screw in the door with the lower hinge pin (1) and the washer (3).

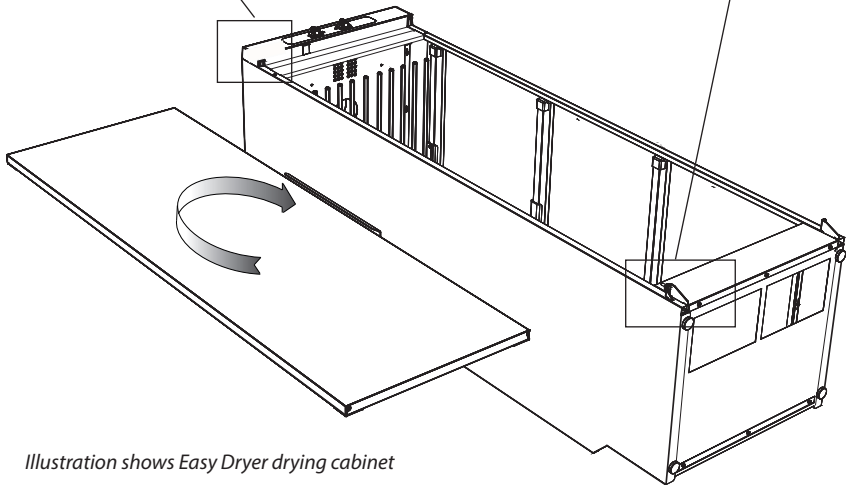
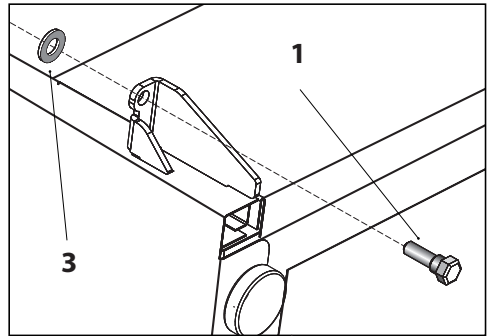
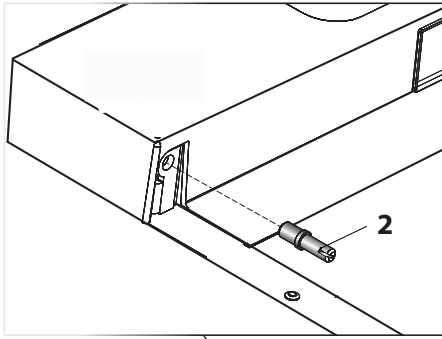


Illustration shows Easy Dryer drying cabinet

POSITIONING/ATTACHMENT

The drying cabinet is intended only for location indoors in a dry place and secured to a wall.

The drying cabinet must not be placed in an environment in which high-pressure water is used for cleaning.

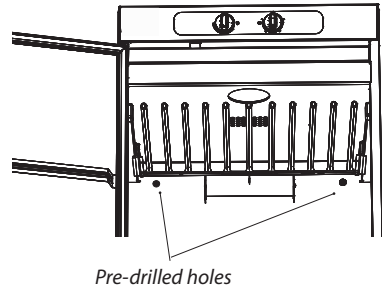
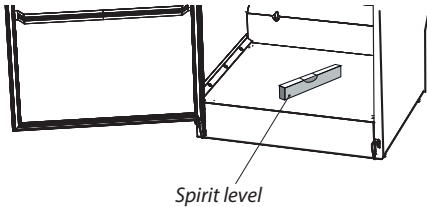
The drying cabinet must be **level on a flat surface**, resting on all four feet.

If there is a need for adjustment, lean the cabinet and adjust the adjusting feet. Check with a spirit level that the cabinet is level.

Bear in mind that the cabinet is top-heavy and there is a risk of it tipping over. This adjustment should be carried out by two people.

The cabinet must be **attached to a wall** to prevent tipping over.

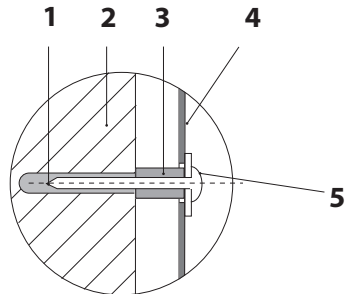
- 1 Open the door and drill 8 mm holes in the wall through the two pre-drilled holes in the rear of the drying cabinet.
- 2 Fit the plastic plugs in the wall. Thread the spacer onto the screw and fit with washer as illustrated. Screws are contained in the assembly kit.



Attaching to a wall also means a better door seal.

CAUTION *The drying cabinet must not be used without being secured to a wall owing to the risk of tipping over forward.*

1. Plastic plug
2. Wall behind drying cabinet
3. Spacer
4. Rear wall of drying cabinet
5. Fixing screw with washer



EVACUATION / SUPPLY AIR

When the cabinet is on, approx. 95 m³ moist air per hour is evacuated. It must therefore be ensured that air can enter the room to replace the moist air that is vented out.

CONNECTION TO EVACUATION

The drying cabinet is connected to exhaust air ventilation in accordance with standard.

The drying cabinet can be connected to the evacuation duct in two ways, either with a draft stabiliser or permanently fitted to a mechanical exhaust vent.

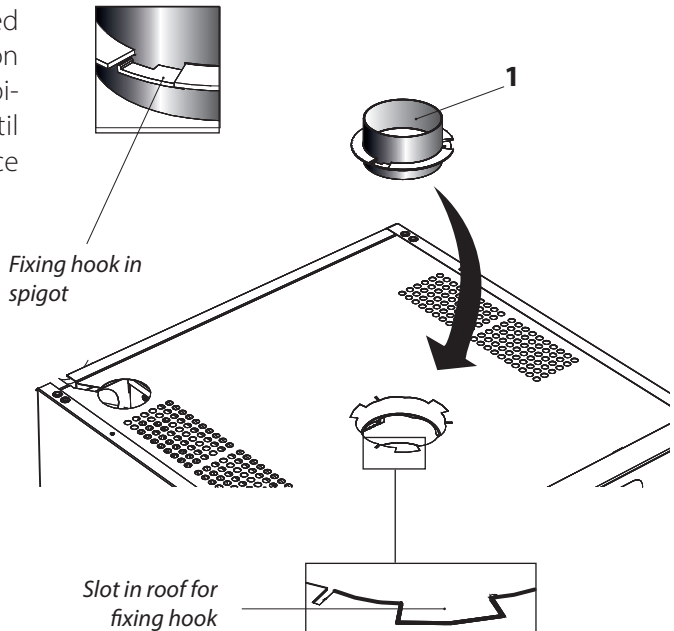
If the drying cabinet is to be connected to an existing vent system, a draught stabiliser must always be used, so that the general ventilation in the room is not affected.

Permanent fitting must only be carried out when a separate exhaust-air duct is routed to the drying cabinet, the air flow in the exhaust-air duct being adjusted to 95 m³ per hour.

The drying cabinet has been tested and factory-set for connection with a draught stabiliser.

Air connection on the cabinet

Position and fit the supplied spigot (1) over the hole on the top of the drying cabinet. Rotate clockwise until the spigot clicks into place in the slots in the roof.

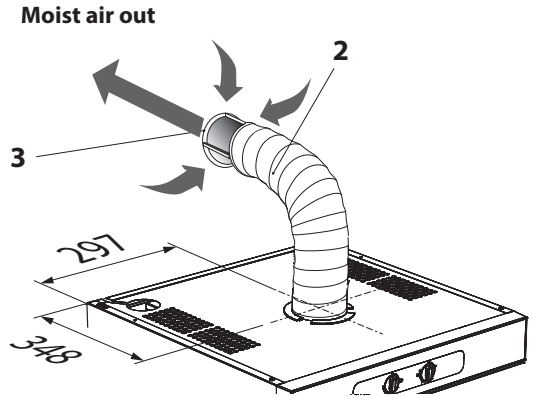


With draught stabiliser

Connect the flexible hose (2) to the spigot. Connect the other end of the hose to the **draught stabiliser (3)** which is then pressed home on the exhaust vent in the room.

The drying cabinet must not be connected to a flue.

The air intake must not be blocked.



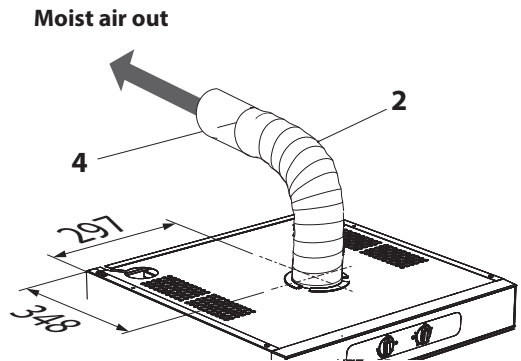
1. Spigot (page 12)
2. Hose, Ø 120 x 1000 mm
3. Draught stabiliser
4. Adapter

Permanently fitted to mechanical exhaust vent

Connect the flexible hose (2) to the spigot. Connect the other end of the hose to the **adapter (4)** and then press this home on the exhaust vent in the room.

Adapter is not supplied.

The air intake must not be blocked.



ELECTRICAL CONNECTION

The drying cabinet must be connected to a 230V single-phase 50-60 Hz and protectively earthed wall socket.

Fuse 10A.

The drying cabinet is supplied ready for connection with a cable and an earthed plug.

If the mains lead for any reason is damaged, it must be replaced. A genuine spare part can be obtained from the dealer who supplied the cabinet.

The drying cabinet should be connected to an earthed wall socket using the connecting cable supplied and must not be permanently wired.

The socket should be located so that the plug can be easily pulled out if necessary.

*Check that the connection current agrees with the data on the identification plate and that the power cord is earthed correctly in accordance with applicable standard. We recommend that the power cord be fitted with a **residual current device (RCD)**.*

The drying cabinet must be connected to a dedicated circuit.

The manufacturer disclaims all liability if the electrical connection has not been carried out in the way described in this user manual.

Note: *A replacement cord must only be fitted by a qualified electrician.*



Read these operating instructions before using the drying cabinet for the first time.

CAUTION *Read the safety instructions on page 5 before using the cabinet.*

- 1** Make sure that the cabinet is firmly attached to the wall. See page 11.
- 2** Make sure that no packaging material has been left behind.
- 3** Use a mild detergent with hot water and wash the inside and outside of the drying cabinet. Dry carefully. See also the 'Care' section later in the manual.

ARRANGING LAUNDRY FOR DRYING

There are three sections with hangers in the cabinet, depending on choice of interior fittings. Each section has a number of rails for hanging laundry.

- ❑ Hang the items in the drying cabinet according to how much space they require - not according to their weight.
- ❑ For most efficient drying, do not lay item flat on the upper hanger section.
- ❑ Position long items closest to the walls of the cabinet and shorter items towards the centre of the cabinet. The most efficient drying results are achieved by hanging the items in this way.
- ❑ Fold up the two bottom hanger sections if long items are to be dried.
- ❑ Hang gloves, caps, scarves and similar items on the hanger strips on the inside of the door.
- ❑ All the hanger sections are extendible to make it easier to hang laundry. The hanger sections must be in their inner position when the door is closed.
- ❑ Do not overload the drying cabinet. If you do, the laundry will become creased and dry unevenly. Instead, leave a space between the items if possible.
- ❑ If there is a risk of particular items shedding colour, free space should be left around them.
- ❑ Avoid drying heavy items of clothing together with lighter items as they have very different drying times.
- ❑ Dry knitted products flat. These are heavy when wet and stretch unnecessarily if they are hung on a peg.

USER TIPS

- ❑ Always following the laundry instructions on the item of clothing if present.
- ❑ If a fabric conditioner or anti-static agent is used, follow the manufacturer's instructions for use of this product.
- ❑ Adapt the drying temperature in the cabinet for products that contain foam rubber or similar material. Follow the manufacturer's instructions closely for the washing and drying of such products.

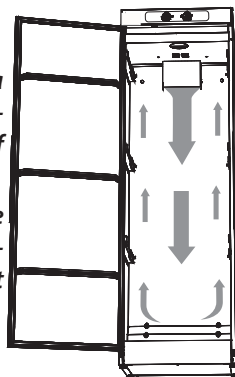
AIR FLOW

The illustration shows the air flow in the drying cabinet.

Keep the area around the evacuation duct clear of dust and dirt.

Make sure that the air intake and exhaust duct are not blocked.

See page 6.



Note: When the cabinet is cold it may happen that the door's sealing strip does not close completely. However, this is fully compensated when the cabinet is operating with heat as the sealing strip expands.

BREAKDOWNS

OVERHEAT CUT-OUT

The cabinet is equipped with an overheat cut-out. This trips when the temperature in the fan unit exceeds 120 °C.

Easy Dryer

When the overheat cut-out has tripped, the cabinet is closed and the timer stops for example at 2 hours with the laundry wet. The user can now reset the overheat cut-out by **turning off the power supply with the switch inside the roof of the cabinet.** See illustration.

Alternatively, resetting can be done by turning the timer to zero.

The user has to wait for 10 to 15 minutes so that the overheat cut-out has time to reclose. The power supply to the cabinet is then turned back on using the same switch or by turning the timer back on.

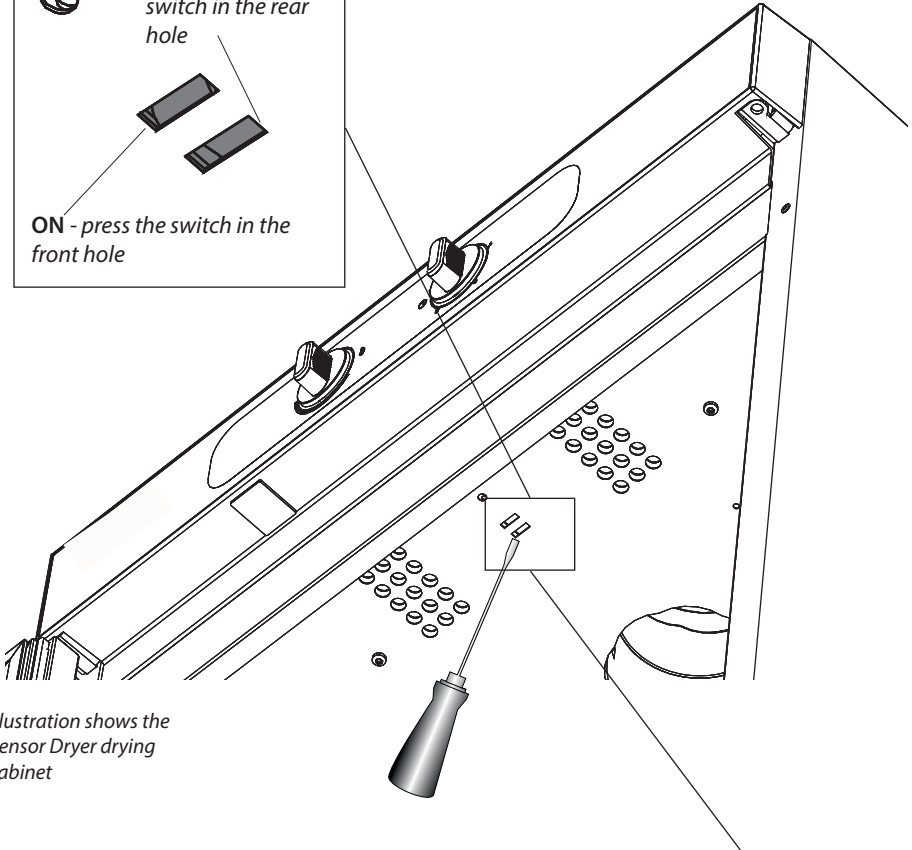
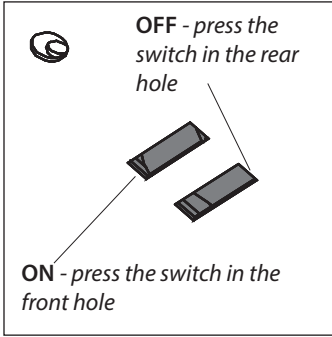
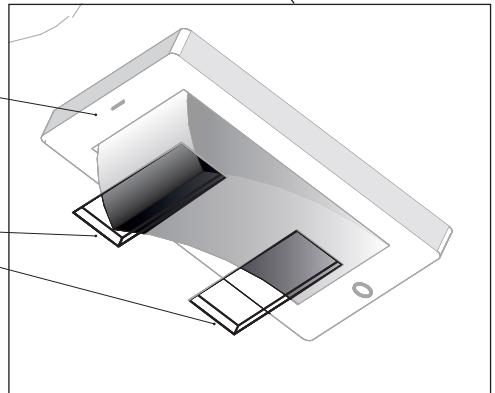


Illustration shows the Sensor Dryer drying cabinet

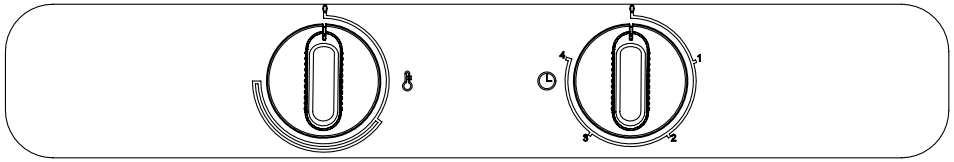
Toggle switch behind inner panel

Hole in inner panel for operation of the toggle switch with a screwdriver or similar tool



OPERATION EASY DRYER 1700

CONTROL PANEL



HEAT

DRYING TIME

The cabinet is equipped with two knobs for setting different power modes.

The left-hand knob regulates heat with power modes on a stepless scale.

The right-hand knob regulates drying time steplessly up to four hours.

CHOICE OF SETTINGS

High heat



If you want a fast drying result, and the item of clothing copes with HIGH heat, turn the heat knob to max and set the drying time at 1.5 to 2 hours.

Low heat



To dry at LOW heat, turn the heat knob to just after the start of the semi-circle and the drying time to between three and four hours.

CLEANING

Note: Do not use high-pressure cleaning.

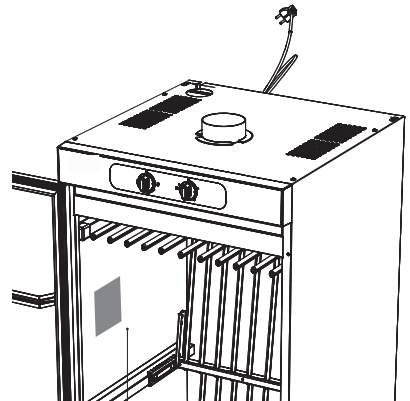
- ❑ Clean the walls of the cabinet with a mild soap solution on a damp cloth.
- ❑ Dust tends to collect around the air intake on the top of the cabinet. This can cause disturbance, in turn leading to breakdowns in operation.

To avoid these problems, the air intake and the roof of the cabinet should be vacuumed at least once a year, or more often depending on the environment the cabinet is located in.

SERVICING

Before contacting Service, you should find out the name, article number and serial number of the drying cabinet.

This information can be found on the identification plate located inside the cabinet.



Identification plate (inside)

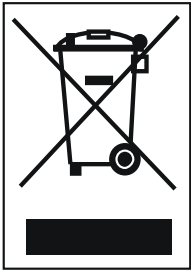


- Name of the drying cabinet
- Article number
- Serial number (12 digits)

Follow Award instructions in repair and replacement of parts.

MANAGEMENT OF END-OF-LIFE DRYING CABINET

When the drying cabinet has reached the end of its useful life, it must be taken to a recycling centre for disposal. Many parts of the drying cabinet can be re-used, but it also contains other material that must be disposed of correctly. You should therefore never leave the drying cabinet or parts of the cabinet for collection with household waste, as this may pose risks to health and cause damage to the environment.




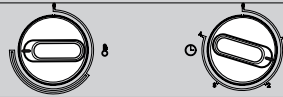
The end-of-life drying cabinet should instead be taken to a recycling centre. Check with your dealer if necessary.

All the plastic parts of the drying cabinet are marked with internationally standardised symbols. The parts of the drying cabinet can therefore be recycled in an environmentally sound manner by waste separation.

TECHNICAL DATA EASY DRYER 1700

Capacity:	Up to 6.0 kg laundry (cotton)
Dewatering capacity:	Up to 25 g/min
Electrical connection:	Single-phase 230 V, 50-60 Hz Fuse 10 A
Motor:	38 W
Heating element output:	2,000 W
Overheat cut-out:	Yes
Fan capacity:	184 m ³ /hour
Hanging length:	16 metres, depending on choice of interior fittings
Dimensions:	Height: 1700 mm Width 595 mm Depth 610 mm
Weight:	Easy Dryer 1700, 56 kg
Sound level:	max 55 dB(A)
Evacuated quantity of air:	95 m ³ moist air per hour

ENERGY CONSUMPTION AND DRYING TIMES IN DRYING OF 4 KG OF SPUN LAUNDRY *)

Programme	Energy consumption per kg dry laundry [kWh/kg]	Drying time *) [min]	Temp. max [°C]
Low temp. 	0.67	220	35
High temp. 	0.69	90	65

*) Values may vary depending on:

- spin speed
- temperature, air humidity in the room
- air circulation in the room (supply air, exhaust air)

MANUFACTURING STANDARDS

See cabinet identification plate

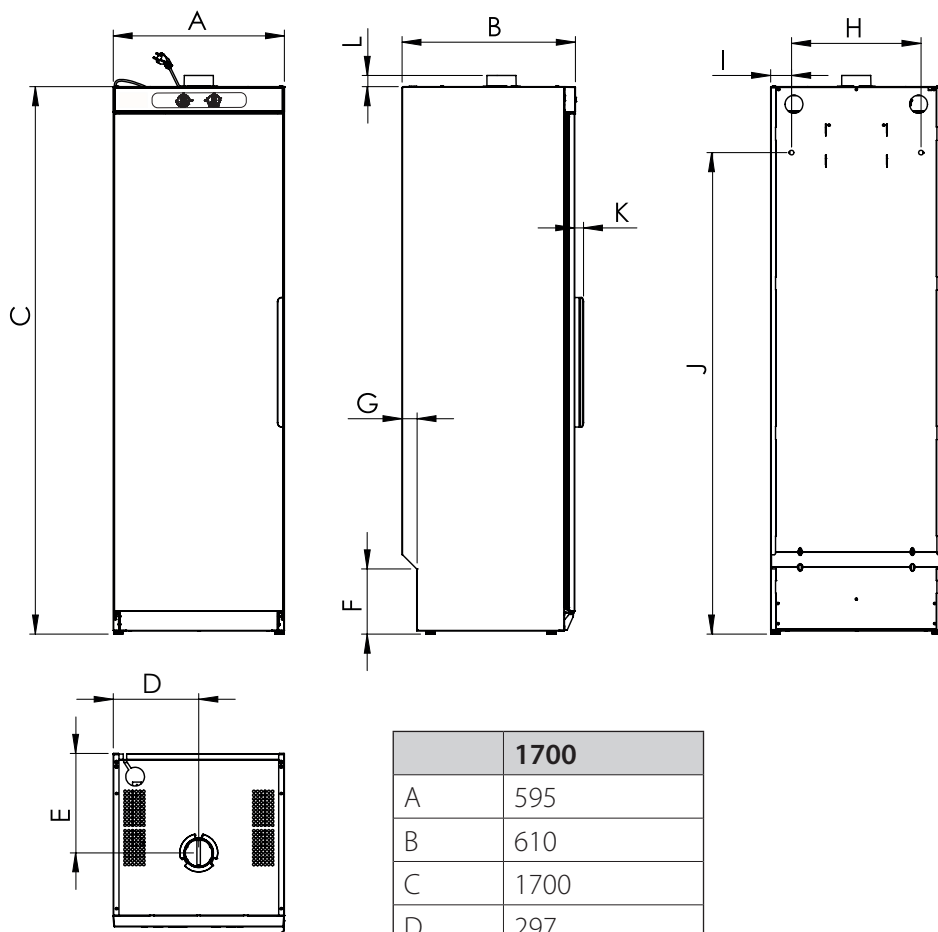
WIRING DIAGRAM

Wiring diagram can be ordered from the manufacturer.

EASY DRYER

Questions	What you can do
The drying cabinet is not working.	<ol style="list-style-type: none">1. Check that the mains lead is connected to a power socket and that power is supplied.2. Check that no fuse has tripped.3. Is the door closed?4. Check the toggle switch in the ceiling. See page 25.
Drying takes a long time.	<ol style="list-style-type: none">1. Make sure that the washing is not soaking wet (poorly spun).2. Check that too much laundry has not been hung.
The washing does not become dry.	Check that too much laundry has not been hung.
The sealing strip does not close tightly/the door is ajar	Check that the cabinet is level and attached to a wall. Check with a spirit level, adjust if necessary with the adjusting feet.

DIMENSIONAL DRAWING



	1700
A	595
B	610
C	1700
D	297
E	348
F	227
G	52
H	450
I	73
J	1474
K	31
L	39

AWARD APPLIANCES (NZ) LTD
WARRANTY STATEMENT

Please complete the following details when you unpack the product and retain this card with the purchase invoice or sales docket. Verification of the date of purchase will be required should service under the warranty be sought.

Model Number
 Date of Purchase
 Retailers / Dealers Name

WARRANTY

This product is covered by a Warranty in addition to all rights available to you by statute. The Warranty is for a period of twenty-four (24) months from the date of purchase, subject to the conditions below. Registering your appliance online at www.awardappliances.co.nz will qualify your purchase for an additional twelve (12) months warranty cover.

The Warranty covers rectifications of faults arising from defective materials, components, faulty workmanship or assembly. The product will be repaired or replaced at the sole discretion of Award Appliances (NZ) Ltd.

Conditions of Warranty:

1. The purchaser/installer carefully follows the installation instructions provided and complies with electrical, gas, plumbing, building and other regulations and codes of practice in New Zealand;
2. That the purchaser carefully follows the instructions provided in the owner's handbook relating to the proper use and care of the product;
3. The product is not used for any purpose other than the domestic use for which it has been designed. Use for commercial purposes or any application outside of a residential dwelling, shall reduce the warranty period to three (3) months from date of purchase.
4. That the product was purchased and installed in the North or South Islands of New Zealand

This Warranty does not extend to:

- (a) Lamps; blockages/restrictions, incorrect detergents, incorrect or poor installations, incorrect use.
- (b) Back feeding from waste disposal units, vermin/insect damage or transit protection left installed.
- (c) Damage to surface coatings caused by cleaning or maintenance using products not recommended by the manufacturer; tin foil on oven base, leaving a baking sheet or tray on oven base.
- (d) Defects caused by normal wear and tear, accident, negligence, alteration or misuse.
- (e) Damage caused by spill-overs, lack of maintenance, or impact.
- (f) Any damage of fault arising from installation of the product.
- (g) A product dismantled, repaired or serviced by any person other than an authorised employee or service agent as appointed by Award Appliances (NZ) Ltd.
- (h) Any additional travelling costs beyond 30km from an appointed service agent.

If you are unable to establish the date of purchase, or the fault is not covered by this Warranty, or if the product is found to be in working order, you will be required to bear all service charges. Please present this notice to the service person, together with proof of purchase. The warranty is non-transferable.

For service please telephone (03) 348 0556

AWARD APPLIANCES (NZ) Ltd
 382 Blenheim Road CHRISTCHURCH
 Telephone: (03) 348 0556 Email: service@award.co.nz
www.awardappliances.co.nz

Award 3yr Warranty 3.2017



Award Appliances (NZ) Limited
E-mail: sales@award.co.nz
www.awardappliances.co.nz