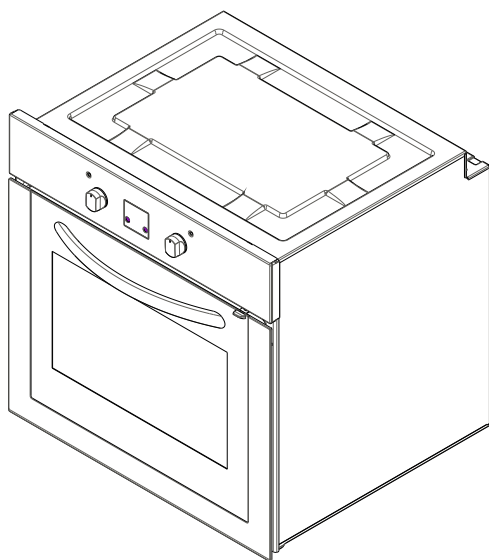


AWARD

WO400S

**OPERATING AND INSTALLATION
INSTRUCTIONS OF
BUILT-IN OVEN**



Dear Customer,

We take offering quality products more than your expectation as goal, offers you the products produced in modern facilities carefully and particularly tested for quality.

Your manual is prepared in order to help you to use your appliance that is manufactured by the most recent technology, with confidence and maximum efficiency.

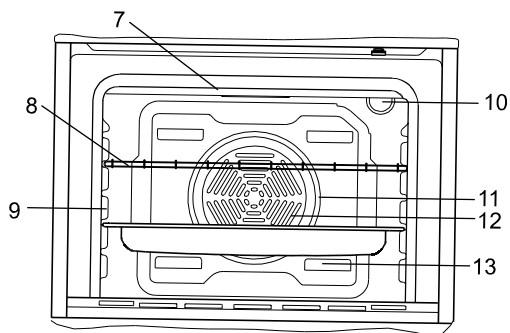
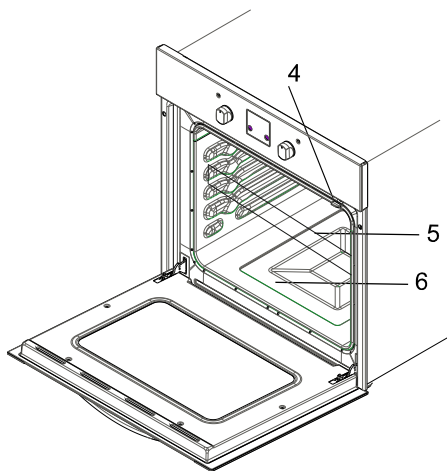
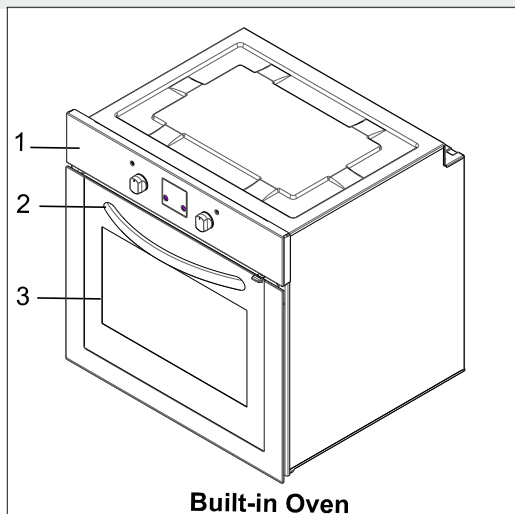
Before use of your appliance, carefully read this guide that includes the basic information for right and safe installation, maintenance and use. Contact to the nearest Authorized Service for mounting of your product.



Contents

- 1- Presentation and size of product**
- 2- Warnings**
- 3- Preparation for installation and use**
- 4- Using the oven**
- 5- Cleaning and maintenance of your product**
- 6- Service and Transport**

PART 1: PRESENTATION AND SIZE OF PRODUCT



LIST OF COMPONENTS :

- | | |
|---|---|
| 1- Control panel | 8- Wire Grill |
| 2- Handle | 9- Racks |
| 3- Oven Door | 10- Oven Light |
| 4- Child Lock | 11- Turbo Heating Element(behind the plate) |
| 5- Tray | 12- Fan (behind the plate) |
| 6- Lower Heating Element (behind the plate) | 13- Air Outlet Shutters |
| 7- Upper Heating Element (behind the plate) | |

PART 2 SAFETY WARNINGS

READ THESE INSTRUCTIONS CAREFULLY AND COMPLETELY BEFORE USING YOUR APPLIANCE, AND KEEP IT IN A CONVENIENT PLACE FOR REFERENCE WHEN NECESSARY.

THIS MANUAL IS PREPARED FOR MORE THAN ONE MODEL IN COMMON. YOUR APPLIANCE MAY NOT HAVE SOME OF THE FEATURES THAT ARE EXPLAINED IN THIS MANUAL. PAY ATTENTION TO THE EXPRESSIONS THAT HAVE FIGURES, WHILE YOU ARE READING THE OPERATING MANUAL.

General Safety Warnings

- This appliance can be used by children aged from 8 years and above and persons with reduced physical, sensory or mental capabilities or lack of experience and knowledge if they have been given supervision or instruction concerning use of the appliance in a safe way and understand the hazards involved. Children shall not play with the appliance. Cleaning and user maintenance shall not be made by children without supervision.
- WARNING: The appliance and its accessible parts become hot during use. Care should be taken to avoid touching heating elements. Children less than 8 years of age shall be kept away unless continuously supervised.
- WARNING: Danger of fire: do not store items on the cooking surfaces.
- WARNING: If the surface is cracked, switch off the appliance to avoid the possibility of electric shock.
- The appliance is not intended to be operated by means of an external timer or separate remote-control system.

- During use, the appliance becomes hot. Care should be taken to avoid touching heating elements inside the oven.
- During use, handles held for short periods in normal use can get hot.
- Do not use harsh abrasive cleaners or sharp metal scrapers to clean the oven door glass and other surface since they can scratch the surface, which may result in shattering of the glass or damage to the surface.
- Do not use steam cleaners for cleaning the appliance.
- **WARNING:** Ensure that the appliance is switched off before replacing the lamp to avoid the possibility of electric shock.
- **CAUTION:** Accessible parts may be hot when the **cooking or grilling** is in use. Young children should be kept away.
- Your appliance is produced in accordance with all applicable local and international standards and regulations.
- Maintenance and repair work must be made only by authorized service technicians. Installation and repair work that is carried out by unauthorized technicians may endanger you. It is dangerous to alter or modify the specifications of the appliance in any way.
- Prior to installation, ensure that the local distribution conditions (nature of the gas and gas pressure or electricity voltage and frequency) and the requirements of the appliance are compatible. The requirements for this appliance are stated on the label.
- **CAUTION:** This appliance is designed only for cooking food and is intended for indoor domestic household use only and should not be used for any other purpose or in any other application, such as for non-domestic use or in a commercial environment or room heating.
- Do not try to lift or move the appliance by pulling the door handle.
- All possible security measures have been taken to ensure your safety. Since the glass may break, you should be careful while cleaning to avoid scratching. Avoid hitting or knocking on the glass with accessories.

- Ensure that the supply cord is not wedged during the installation. If the supply cord is damaged, it must be replaced by the manufacturer, its service agent or similarly qualified persons in order to prevent a hazard.
- While the oven door is open, do not let children climb on the door or sit on it.

Installation Warnings

- Do not operate the appliance before it is fully installed.
- The appliance must be installed by an authorized technician and put into use. The producer is not responsible for any damage that might be caused by defective placement and installation by unauthorized people.
- When you unpack the appliance, make sure that it is not damaged during transportation. In case of any defect; do not use the appliance and contact a qualified service agent immediately. As the materials used for packaging (nylon, staplers, styrofoam...etc) may cause harmful effects to children, they should be collected and removed immediately.
- Protect your appliance against atmospheric effects. Do not expose it to effects such as sun, rain, snow etc.
- The surrounding materials of the appliance (cabinet) must be able to withstand a temperature of min 100°C.

During usage

- When you first run your oven a certain smell will emanate from the insulation materials and the heater elements. For this reason, before using your oven, run it empty at maximum temperature for 45 minutes. At the same time you need to properly ventilate the environment in which the product is installed.
 - During usage, the outer and inner surfaces of the oven get hot. While opening the oven door, step back to avoid the hot steam coming out of the oven. ~~There may be a risk of burns.~~
 - Do not put flammable or combustible materials, in or near the appliance when it is operating.
 - Always use oven gloves to remove and replace food in the oven.
 - Do not leave the cooker while cooking with solid or liquid oils. They may catch fire on condition of extreme heating. Never pour water on to flames that are caused by oil. Cover the saucepan or frypan with its cover in order to choke the flame that has occurred in this case and turn the cooker off.
 - If you will not use the appliance for a long time, **plug it off**. Keep the main control switch off. Also when you do not use the appliance, keep the gas valve off.
 - Make sure the appliance control knobs are always in the "0" (stop) position when it is not used.
 - The trays incline when pulled out. Be careful not to let hot liquid spill over.
 - When the door or drawer of the oven is open, do not leave anything on it. You may unbalance your appliance or break the cover.
 - Do not put heavy things or flammable or ignitable goods (nylon, plastic bag, paper, cloth...etc) into the drawer. This includes cookware with plastic accessories (e.g. handles).
 - Do not hang towels, dishcloths or clothes from the appliance or its handles.
- ### **During cleaning and maintenance**
- Always turn the appliance off before operations such as cleaning or maintenance. You can do it after **plugging the appliance off** or turning the main switches off.
 - Do not remove the control knobs to clean the control panel.

TO MAINTAIN THE EFFICIENCY AND SAFETY OF YOUR APPLIANCE, WE RECOMMEND YOU ALWAYS USE ORIGINAL SPARE PARTS AND TO CALL ONLY OUR AUTHORIZED SERVICE AGENTS IN CASE OF NEED.

PART 3: PREPARATION FOR INSTALLATION AND USE

Manufactured with best quality parts and materials, this modern, functional and practical oven will meet your needs in all respects. Make sure to read the manual to obtain successful results and not to experience any problems in the future. The information given below contain rules that are necessary for correct positioning and service operations. They should be read without fail especially by the technician who will **position** the appliance.

CONTACT THE AUTHORIZED SERVICE FOR INSTALLATION OF YOUR OVEN!

3.1. CHOOSING A PLACE FOR THE OVEN

There are several points to pay attention to when choosing a place for your oven. Make sure to take into account our recommendations below in order to prevent any problems and dangerous situations, which might occur later!

- When choosing a place for the oven, attention should be paid that there are no flammable or combustible materials in the close vicinity, such as curtains, oil, cloth etc. which quickly catch fire.
- Furnitures surrounding the oven must be made of materials resistant to heat more than 50 C° of the room temperature.
- Required changes to wall cabinets and exhaust fans above the built-in combined product as well as minimum heights from the oven board are shown in Figure 1. Accordingly, the exhaust fan should be at a minimum height of 65 cm from the hob board. If there is no exhaust fan the height should not be less than 70 cm.

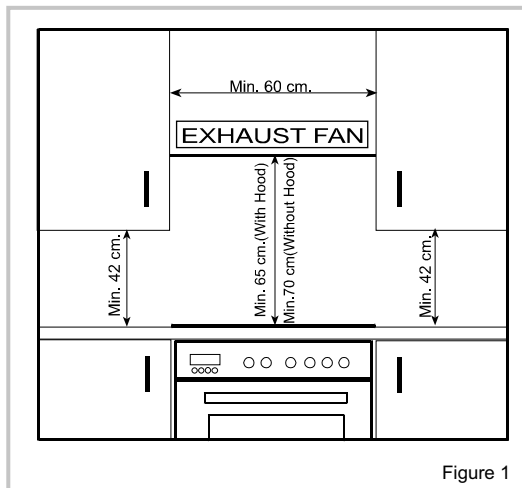
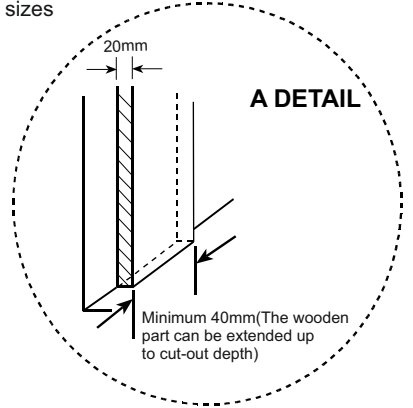
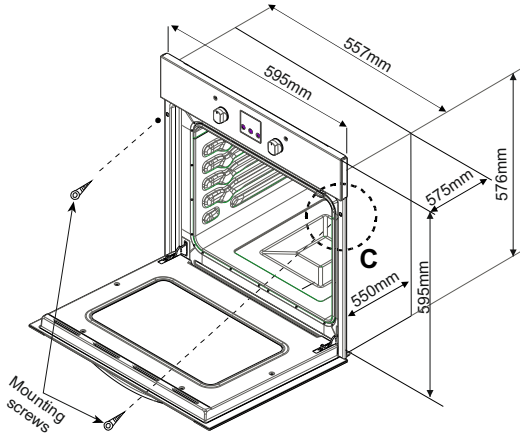
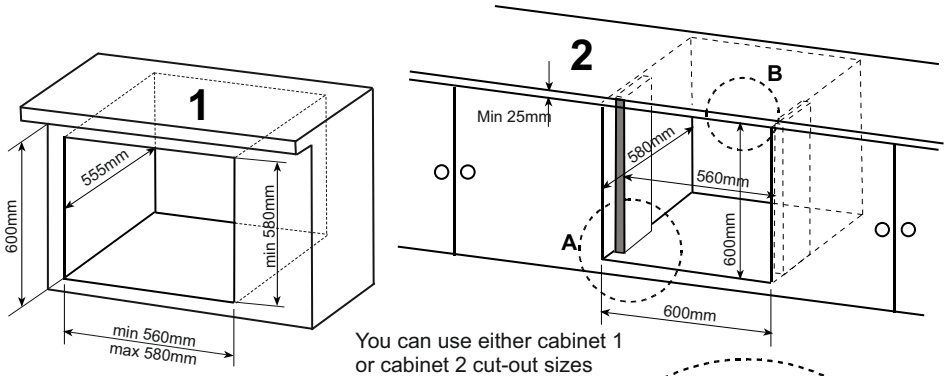


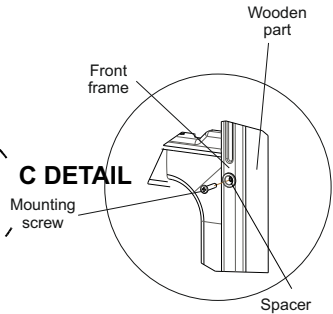
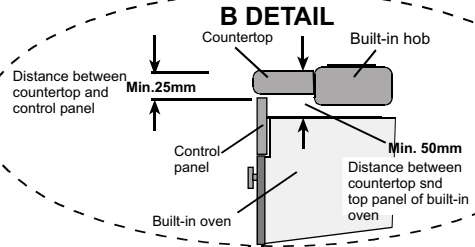
Figure 1

3.2. INSTALLATION OF BUILT_IN OVEN

Cabinet cut-out sizes

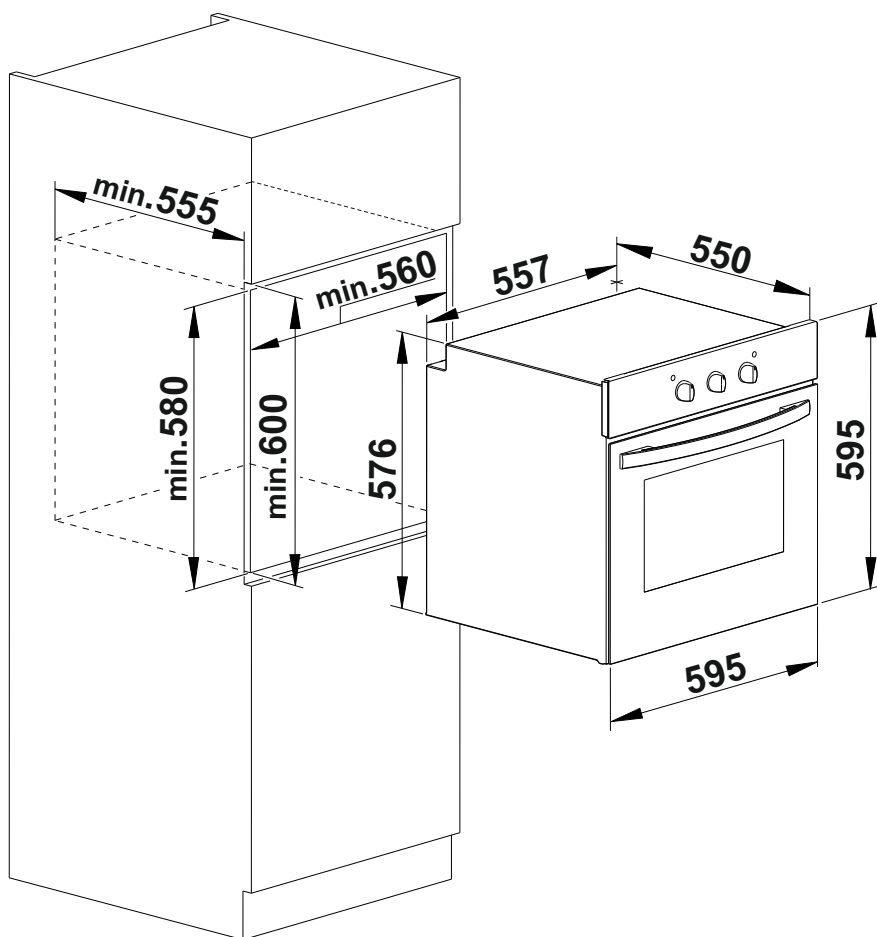


Product sizes



Insert the oven into cabinet by pushing it forward. Open the oven door and insert 2 screws in the holes located on the oven frame. While the product frame touches the wooden surface of cabinet, tighten the screws.

The dimensions and material of the cabinet in which the oven will be installed must be correct and resistant to increases in temperature. In a correct installation, contact with electrical or insulated parts must be prevented. Insulating parts need to be fitted in a way to ensure that they cannot be removed by using any kind of tool. Installing the appliance in the close vicinity of a refrigerator or a deep-freezer is not recommended. Otherwise, the performance of the above-mentioned appliances will be negatively affected due to emanating heat. After removing your oven from its packaging, be sure that the oven is not harmed. In case, you suspect of any damage to the appliance, do not use it; **immeditely** contact Authorized Service.

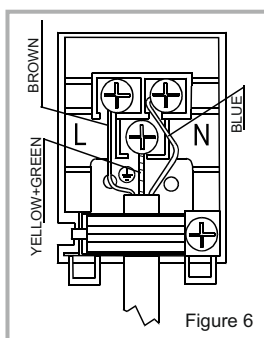


3.3. WIRING AND SAFETY OF BUILT_IN OVEN

The instructions given below must be followed without fail during wiring :

- The earthing cable must be connected via the screw with the earthing mark. Supply cable connection must be as shown in Figure 6. If there is no earthed outlet conforming to regulations in the installation environment, call the Authorized Service immediately.
- The earthed outlet must be in close vicinity of the appliance. Never use an extension cord.
- The supply cable should not contact the product's hot surface.
- In case of any damage to the supply cable, make sure to call the Authorized Service. The cable must be replaced by the Authorized Service.
- Wiring of the appliance must be performed by the Authorized Service. H05VV-F type supply cable must be used.
- Faulty wiring may damage the appliance. Such a damage will not be covered under the warranty.
- The appliance is designed to connect to 220-240V~ electricity is different than the value given above, call the Authorized Service immediately.

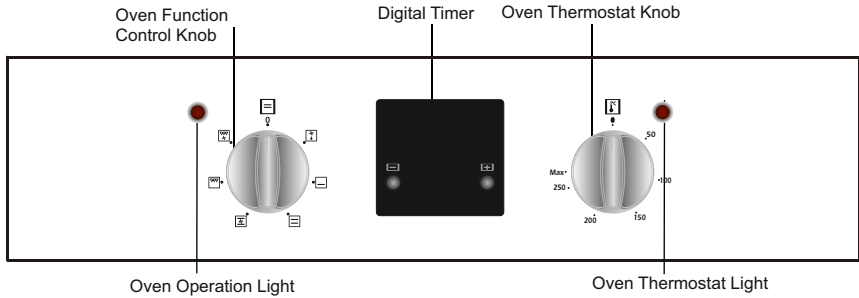
The Manufacturer Firm declares that it bears no responsibility whatsoever for any kind of damage and loss arising from not complying with safety norms!



PART 4: USING THE OVEN

4.1 CONTROL PANELS

Built_in Oven



Oven Function Control Knob:

To select the desired cooking function, turn the knob to the related symbol (Figure 11). The details of the oven functions have been explained in Table 1 and next part.

Oven Thermostat Knob:

After cooking function set, desired temperature can be adjusted by oven thermostat knob (figure 12) and oven start to operate (timer must be adjusted, if available). Thermostat signal light will be on or off according to thermostat operation.

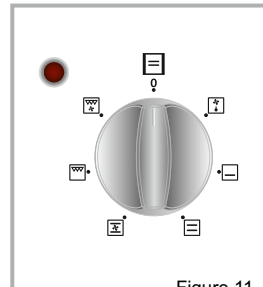


Figure 11

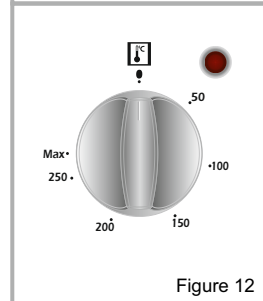







Figure 12

4. USE OF YOUR PRODUCT

4.2. USING THE OVEN FUNCTION CONTROL BUTTON

* The functions of your oven may be different due to the model of your product.

	Oven Lamp
Only the oven light will be turned on and it remains on in all the cooking functions.	
	Static Cooking Function
The oven's thermostat and warning lights will be turned on, the lower and upper heating elements will start operating. The static cooking function emits heat, ensuring even cooking of the lower and upper food. This is ideal for making pastries, cakes, baked pasta, lasagne and pizza. Preheating the oven for 10 minutes is recommended and it is best to cook on only one shelf at a time in this function.	
	Lower Heating Function
The oven's thermostat and warning lights will be turned on, the lower heating element will start operating. The lower heating function is ideal for baking pizza, as the heat rises from the bottom of the oven and warms the food up. This function is appropriate for heating the food instead of cooking.	
	Defrost Function
The oven's warning lights will be turned on, the fan starts operating. To use the defrost function, take your frozen food and place it in the oven on a shelf placed in the third slot from the bottom. It is recommended that you can place an oven tray under the defrosting food, to catch the water accumulated due to melting ice. This function will not cook or bake your food, it will only help to defrost it.	
	Grilling Function
The oven's thermostat and warning lights will be turned on, the grill heating element will start operating. The function is used for grilling and toasting foods, use the upper shelves of oven. Lightly brush the wire grid with oil to stop foods sticking and place foods in the center of the grid. Always place a tray beneath to catch any drips of oil or fat. It is recommended to pre-heat the oven about 10 minutes. Warning: When grilling, the oven door must be closed and the oven temperature should be adjusted to 190°C.	

4. USE OF YOUR PRODUCT



Fan Function

The oven's thermostat and warning lights will be turned on, the upper and lower heating elements and fan will start operating.

This function is very good for obtaining results in baking pastry. Cooking is carried out by the lower and upper heating element within the oven and by the fan providing air circulation, which will give a slight grill effect to the food. It is recommended to pre-heat the oven about 10 minutes.



Double Grill and Fan Function

The oven's thermostat and warning lights will be turned on, the grill and upper heating elements and fan will start operating.

The function is used for faster grilling of thicker foods and for covering a larger surface area. Both the upper heating elements and grill will be **energised** along with the fan to ensure even cooking. Use the upper shelves of oven. Lightly brush the wire grid with oil to stop foods sticking and place foods in the center of the grid. Always place a tray beneath to catch any drips of oil or fat. It is recommended to pre-heat the oven about 10 minutes.

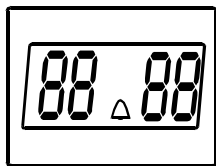
Warning: When grilling, the oven door must be closed and the oven temperature should be adjusted to 190°C.

ENERGY SAVING

- During use of electrical cookers, ~~it is required to~~ use saucepans **having** flat bases.
- Choose **a** cookware of proper size.
- Using a lid will reduce cooking times.
- Minimize the amount of liquid or fat to reduce cooking times.
- When liquid starts **boiling**, reduce the temperature setting.
- Oven door should not be opened often during cooking period.

4. USE OF YOUR PRODUCT

Use of digital minute minder



Simultaneously press (+) and (-) buttons of digital minute minder. The display will start flashing, and then you can set the time setting by using (+) and (-) buttons. When you press (+) or (-) buttons after setting the time (Δ) symbol is displayed, and the **desiring timer** set. At the end of this time period, it will make a beep sound but the oven continues working. In order to turn the oven off, you must **take** the switch and thermostat of the oven to **closed** position.

Sound Adjustment

While the timer shows the time of day; if the (-) button on is kept pressed for 1-2 sec., it will give an audible signal beep. After that each time the (-) button is pressed, it will give three different types of signal beep. Do not press any further buttons and it will save the last selected signal type.

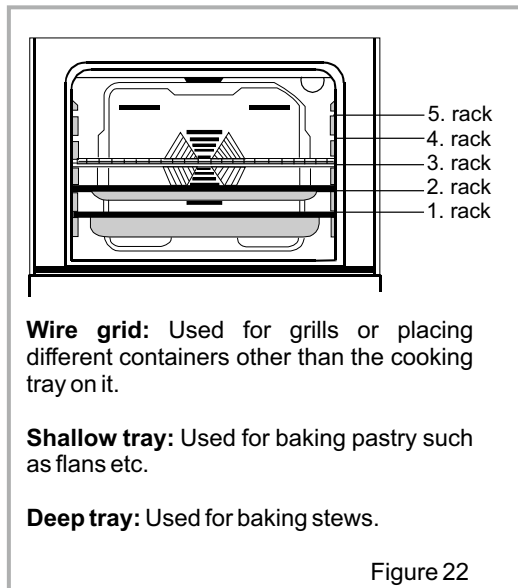
DISHES	TURBO			LOWER-UPPER			LOWER-UPPER FAN			GRILL		
	Thermostat pos.(°C)	Rack pos.	Cooking period(min)	Thermostat pos.(°C)	Rack pos.	Cooking period(min)	Thermostat pos.(°C)	Rack pos.	Cooking period(min)	Thermostat pos.(°C)	Rack pos.	Cooking period(min)
Layered pastry	170 - 190	1-2-3	35 - 45	170 - 190	1-2	35 - 45	170 - 190	1-2	25 - 35			
Cake	150 - 170	1-2-3	30 - 40	170 - 190	1-2	30 - 40	150 - 170	1-2-3	25 - 35			
Cookie	150 - 170	1-2-3	25 - 35	170 - 190	1-2	30 - 40	150 - 170	1-2-3	25 - 35			
Cooked meatballs										200	4	10 - 15
Watery food	175 - 200	2	40 - 50	175 - 200	2	40 - 50	175 - 200	2	40 - 50			
Chicken				200	1-2	45 - 60	200	1-2	45 - 60	200	*	50 - 60
Chop										200	3-4	15 - 25
Beefsteak										200	4	15 - 25
Two-tray cake	160 - 180	1-4	30 - 40									
Two-tray pastry	170 - 190	1-4	35 - 45									

* Cook with roast chicken skewer.....

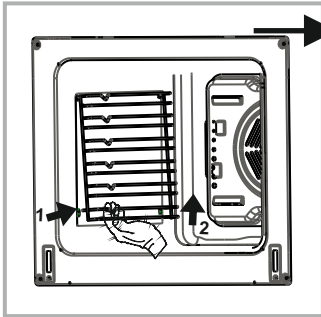
4.8. ACCESSORIES USED IN THE OVEN

It is recommended that you use the containers indicated on the table depending on the food you will cook in your oven, you can also use glass containers, cake cutters, special oven trays suitable for use in your oven, available in the market. Pay attention to the information given by the manufacturer firm concerning this issue. If small sized containers are used, place this container on the inner grill wire so it will be precisely on the middle of the wire. The information given below should be implemented for enamelled containers.

If the food to be cooked does not completely cover the oven tray, if the food is taken out of the deep-freezer or if the tray is used to collect the dripping juices of the foods during the grill operation; deformation might be observed on the tray due to high temperatures forming during the cooking/frying operation. This is normal, physical state that results during the heat transfer. Do not leave a glass tray or container in a cold environment immediately after cooking in them. Do not place them on cold and wet surfaces. Ensure that they slowly cool off placing them on a dry piece of cloth. Otherwise, the glass tray or container might break. If you are going to perform a grill operation in your oven, we recommend that use use the grill on tray, supplied together with your product (if your product includes this equipment). This way, splattering and dripping oils will not make the oven interior dirty. If you are going to use the large wire grill, insert a tray into one of the lower racks to avoid accumulation of the oils. To make cleaning easier, add some water into it as well. In a grilling operation, use the 3. Or the 4.rack and oil the grill to prevent the food to be grilled from sticking to the grill.



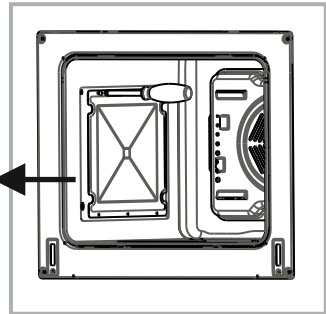
Removal of wire shelf



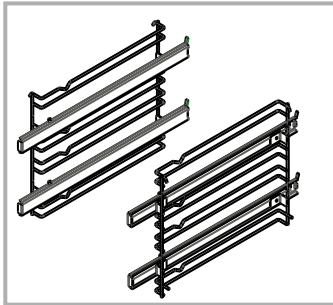
Pull the wire shelf as shown in the picture. After releasing it from clips, lift it up.

Remove G screws on the each catalytic enamel coated panel.

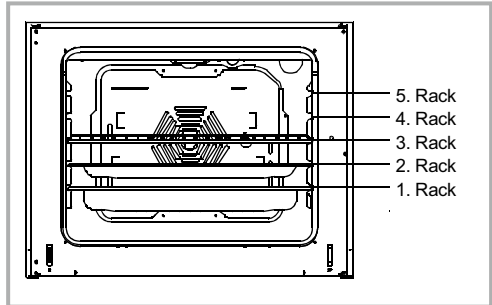
Removal of catalytic panel



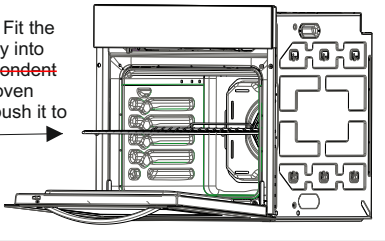
Telescopic rails



Installation of the Shelves



WARNING- Fit the grid correctly into any correspondent rack in the oven cavity and push it to the end.



PART 5: CLEANING AND MAINTENANCE OF YOUR OVEN

5.1. CLEANING

Before starting to clean your oven, be sure that all control buttons are off and your appliance is cooled off. Unplug the appliance.

Do not use cleaning materials containing particles that might scratch the enamelled and painted parts of your oven. Use cream cleaners or liquid cleaners, which do not contain particles. As they might **ahrm** the surfaces, do not use caustic creams, abrasive cleaning powders, rough wire wool or hard tools. In the event **the** excess liquids spilling over your oven **should burn**, it may cause a damage to the enamel. Immediately clean up the **split** liquids. Do not use steam cleaners for cleaning the oven.

Cleaning the interior of the oven

Make sure to unplug the oven before starting to clean it. You will obtain best results if you clean the oven interior while the oven is slightly warm. Wipe your oven with a soft piece of cloth dampened with soap water after each use. Then wipe it again, this time with a **wetted** cloth, and wipe it dry. A complete cleaning using dry and powder type cleaners. For product with catalytic enamel frames, the rear and side walls of the inner frame do not require cleaning. However; depending on usage, it is recommended that you replace them after a certain period of time.

Clearing of the hob part of the Built-in Oven

For built-in combined products, hobs should be cleaned ~~wiping~~ with a dampened cloth. Cleaning of the stainless steel parts should be done only with water **ans** such parts should be wiped dry with a soft cloth or chamois. Gaps and corners should be cleaned using liquid detergents or lukewarm vinegar. When cleaning the lids of the models with upper glass lids, use hot water and rough cloth. Try to clean up without rubbing / scrubbing. You can use liquid detergents if necessary. Another point to pay attention to that the glass lid should not be closed until the **job boar** is completely cooled off.

Cleaning the vitroceramic glass burner

- Unplug the appliance before starting the cleaning.
- Wait for the vitroceramic glass to completely cool off before starting the cleaning.
- Make sure that the cleaning materials you will use do not contain particals that might scratch the glass. Use cream detergents or **liquis** detergents.
- The vitroceramic surface **shoul** be wiped with cold water and wiped dry with a soft piece of cloth until no cleaning material **as** is left on the surface.
- You can use the cleaning spatula supplied together with your product, for the cleaning of **split** foods and residues.
- Dessert type of foods should be cleaned immediately after **day spill** without waiting for the vitroceramic glass to cool off.

- Scrubbing with steel **cleaning wires** may harm the vitroc ceramic glass surface. Formation of dust on the surface should be cleaned up using a dampened cloth.
- Changes in colour which might occur on the ceramic glass surface do not affect the functional structure or permanence of the vitroc ceramic. The reason for the changes in colour is not the change in the material; it may be because the burnt residues on the surface are not cleaned up or the pots used have worn the glass surface or because unsuitable cleaning materials were used.
- The cleaning spatula should always be used prior to chemical cleaning substances. With this spatula, you can clean up the tiniest of dirt s on the vitroc ceramic surface. Dirt s that are difficult to remove, such as melted plastic, heavy oils, sweet substances, can be removed easily with the spatula. As the spatula includes a razor, it is dangerous and must be kept out of reach of children.
- During cleaning with spatula, pay attention not to scrape off the silicon adhesives found on the sides of the glass.

5.2. MAINTENANCE

Replacing the Oven Light

The change of oven lamp must be done by authorized technician. The rating of the bulb should be 230V, 25Watt, Type E14, T300 before changing the lamp, the oven should be **plugged off** and it should be cool.

The lamp design is specific for the use in household cooking appliances and it is not suitable for household room illumination.

PART 6: SERVICE AND TRANSPORT

6.1. REQUIREMENTS BEFORE CONTAINING TO SERVICE

If the oven does not operate :

The oven may be plugged off, there has been a black out. On models fitted with a timer, time may not be regulated.

If the oven does not heat :

The heat may be not adjusted with oven's heater control switch.

If the interior lighting lamp does not light :

The electricity must be controlled. It must be controlled whether the lamps are defective. If they are defective, you can change them as following the guide.

Cooking (if lower-upper part does not cook equally) :

Control the shelf locations, cooking period and heat values according to the manual.

Except these, if you still have any problem with your product, please call to the "Authorized Service".

6.2. INFORMATION RELATED TO TRANSPORT

If you need any transport :

Keep the original case of product and carry it with its original case when need to be carried. Follow the transport signs on case. Tape the cooker on upper parts, hats and heads and saucepan carriers to the cooking panels.

Place a paper between the upper cover and cooking panel, cover the upper cover, than tape to the side surfaces of oven.

Tape cardboard or paper onto the front cover on interior glass of oven as it will be suitable to the trays, for the wire grill and trays in your oven not damage to the oven's cover during transport. Also tape the oven's covers to the side walls.

If does not have the original case :

Take measure for external surfaces (glass and painted surfaces) of oven against possible blows.

Brand		AWARD
Model		WO400S
Type of Oven		ELECTRIC
Mass	kg	34,0
Energy Efficiency Index - conventional		119,1
Energy Efficiency Index - fan forced		105,7
Energy Class		A
Energy consumption (electricity) - conventional	kWh/cycle	0,98
Energy consumption (electricity) - fan forced	kWh/cycle	0,87
Number of cavities		1
Heat Source		ELECTRIC
Volume	l	65
This oven complies with EN 60350-1		

Energy Saving Tips

Oven

- Cook the meals together, if possible.
- Keep the pre-heating time short.
- Do not **elongate** cooking time.
- Do not forget to **turn-off** the oven at the end of cooking.
- Do not open oven door during cooking period.



The symbol on the product or on its packaging indicates that this product may not be treated as household waste. Instead it shall be handed over to the applicable collection point for the recycling of electrical and electronic equipment. By ensuring this product is disposed of correctly, you will help prevent potential negative consequences for the environment and human health, which could otherwise be caused by inappropriate waste handling of this product. For more detailed information about recycling of this product, please contact your local city office, your household waste disposal service or the shop where you purchased the product.